

MM9046 24V REGULATED DC POWER SUPPLY



DESCRIPTION

The MM9046-XX Power Supply is a well regulated supply designed to power two-wire transmitters, digital panel meters, strain gauges and other devices requiring regulated DC power. Ten modules are available.

DESCRIPTION

The MM9046-XX is available with several output voltages as shown below:

MODEL	OUTPUT
MM9046-36	36 V @ 40 mA
MM9046-32	32 V @ 40 mA
MM9046-28	28 V @ 60 mA
MM9046-24	24 V @ 60 mA
MM9046-18	18 V @ 65 mA
MM9046-15	15 V @ 65 mA
MM9046-12	12 V @ 85 mA
MM9046-9	9 V @ 120 mA
MM9046-6	6 V @ 150 mA
MM9046-5	5 V @ 200 mA

SPECIFICATIONS

INPUT

Voltage
115 VAC $\pm 10\%$, 50/60 Hz
230 VAC $\pm 10\%$, 50/60 Hz

OUTPUT RANGE

5 V to 36 V, determined by model

NOISE & RIPPLE

0.003% of output

REGULATION

Line 0.04%/V
Load(0 to 100% load) 0.05%

OPERATING TEMPERATURE

14°F to 140°F (-10°C to 60°C)

TEMPERATURE STABILITY

$\pm 0.02\%$ of span/°C max

MOUNTING

The module is designed to plug into a standard 8-pin relay socket. (MP008) is a molded plastic socket suitable for mounting on a flat surface or snap into a 2¾ inch wide PVC track (TRK48).

A hold-down clip (CLP1) is available for installation where vibration may be a problem.

A DIN rail mounted socket (DMP008) is available for 35mm symmetrical DIN rail.

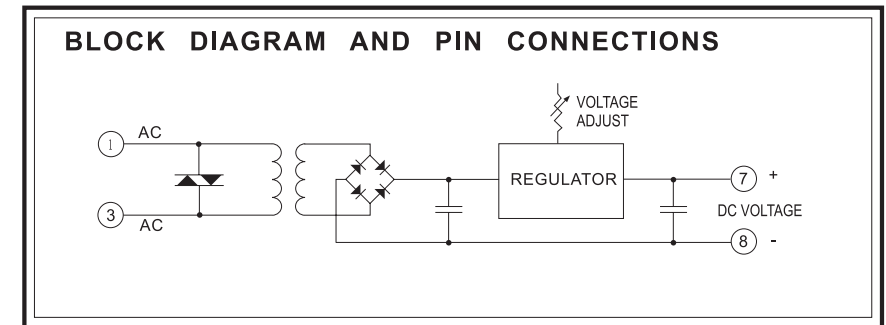
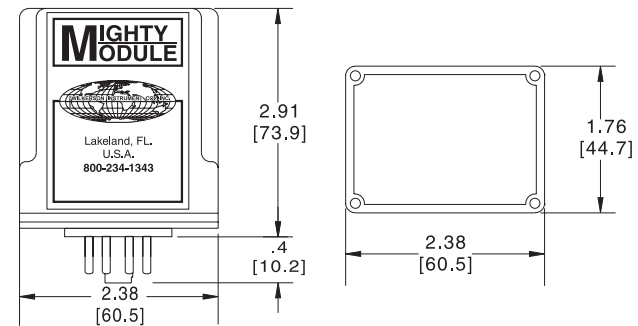
A Killark HK Series explosion-proof housing with dome and 8-pin socket is available (HKB-HK2D-8).

WARRANTY

The Mighty Module Series of products carry a limited warranty of 10 + 5 years. In the event of a failure due to defective material or workmanship, during the 10 year period, the unit will be repaired or replaced at no charge. For a period of 5 years after the initial 10 year warranty, the unit will be repaired, if possible, for a cost of 10% of the original purchase price.

Relays are not covered by the warranty.

CASE DIMENSIONS INCHES [mm]



Specifications are subject to change without notice. ©2007 Wilkerson Instrument Co., Inc.

DWG#W102221C 3/07



2915 Parkway Street
Lakeland, FL 33811-1391 · USA

800-234-1343

Tel: 863-647-2000 · Fax: 863-644-5318
www.wici.com · E-mail: sales@wici.com