



Hybrid DC Blocked Coaxial Surge Protectors

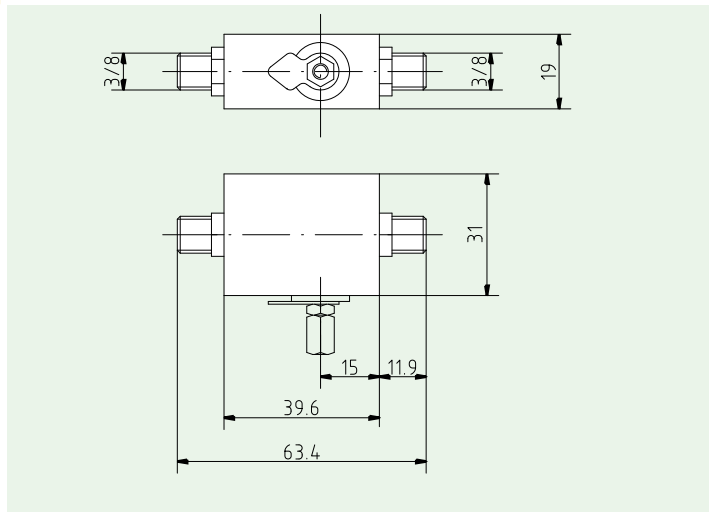
CXP Series



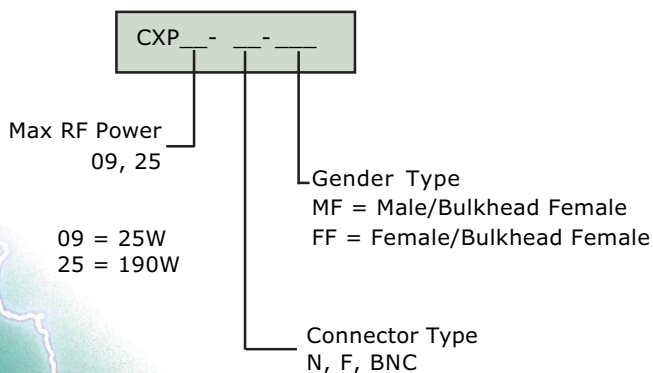
The CXP Series has been designed to protect radio-base communications systems from lightning and electrical transients. This device is a dc blocked protector not to be used where transmitter combining is performed.

The CXP Series is designed to protect terminals connected to coaxial cables against transient overvoltages due to lightning strikes. The CXP Series is a combination of Gas Tubes and clamping diodes which allows a high discharge current with a low residual voltage and low insertion losses.

Dimensions (in mm)



Ordering information



Characteristics

CITEL Part Number	CXP09-DCB	CXP25-DCB
Frequency Range	125-1000MHz	125-1000MHz
DC Turn-On (Breakdown)	90-130V	200-300V
Technology	Hybrid DC Block	Hybrid DC Block
Insertion Loss	≤0.15db	≤0.15db
Return Loss	≥20db	≥20db
VSWR	<1.2:1	<1.2:1
Ipeak (8/20 μs)	5kA	5kA
Max Power	25W	190W
Max current	6A	6A
Impedance	50 omhs	50 omhs
Connection Method	Series (bi-directional)	Series (bi-directional)
Connectors	N, F, BNC	N, F, BNC
Grounding	M6 Screw, Bulkhead, Bracket	M6 Screw, Bulkhead, Bracket
Environmental Rating	IP65	IP65
Operating Temp	-50°C to +85°C	-50°C to +85°C
Operating Altitude	13,000 ft (4,000m)	13,000 ft (4,000m)
Relative Humidity	up to 5 to 95% non-condensing, up to 100%	up to 5 to 95% non-condensing, up to 100%
Weight	5.5 oz	4.9 oz