



Imax  
40 kA

# Type 2 N/PE Surge Protector

## DS40G



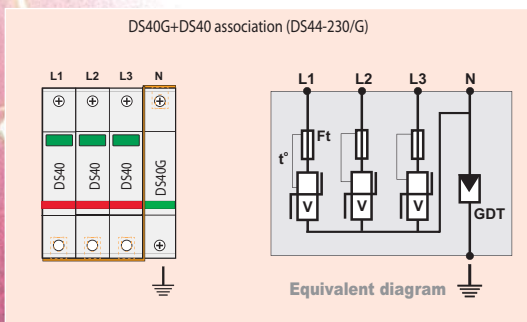
This Type 2 AC surge protector is designed to be associated with a DS10 or DS40 protector to order to provide a common and differential mode protection, following the CT2 configuration (IEC 60364-5-534). refer pages A31 and A33.

The DS40G is connected only between Neutral wire (N) and Protective Earth wire (PE).

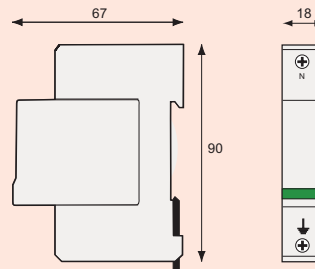
The internal protection component is a specific gas tube which allows high discharge current in 8/20µs waveform and low residual voltages.

The DS40G is made with a fixed base and a plug-in module in order to comply mechanically with the DS10/DS40 range.

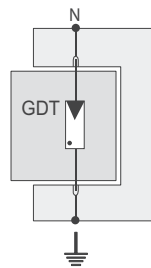
- Type 2 N/PE surge protectors
- DS40/DS10 series compliance
- Discharge currents : In : 20 kA/Imax : 40 kA
- Plug-in or non pluggable
- Comply IEC 61643-1 and EN 61643-11



### Dimensions (in mm)



### Electrical diagram



GDT : Specific gas tube

### Characteristics

CITEL part number	DS40G-600	
Network	230/400V or 120/208V	
Maximum operating voltage	Uc 255 Vac	
Temporary overvoltage withstand	U <sub>T</sub> 400 Vac	
Operating current	Ic none	
Leakage current at Uc		
Follow current interruption	I <sub>fi</sub> > 100 A	
Nominal discharge current	In 20 kA	
15 x 8/20 µs impulses		
Maximum discharge current	Imax 40 kA	
max withstand 8/20 µs		
Protection level (at In)	Up 1.5 kV	
Admissible short-circuit current	25000 A	
<b>Mechanical characteristics</b>		
Configuration	Pluggable	
Dimensions	See diagram	
Connection	by screw terminal : 4-25 mm <sup>2</sup> / by bus	
Mounting	symmetrical rail 35 mm	
Operating temperature	-40/+85 °C	
Protection class	IP20	
Housing material	Thermoplastic UL94-V0	
<b>Standards compliance</b>		
NF EN 61643-11	France	Parafoudre Basse Tension - Essais Classe II
IEC 61643-1	International	Low Voltage SPD - Test Class II
EN 61643-11	Europe	Parafoudre Basse Tension - Essais Classe II