

DIN Rail mountable One Pair Surge Protector *DS210 - DC*



Citel DS210 - DC has been designed to protect equipment connected to continuous power supplies (AC or DC current) against lightning surges and electrical transients. Under the most severe conditions, the DS210 - D will sacrifice itself and the red neon will switch on indicating the protector needs to be replaced.



Maximum Line Current - 10 Amperes



Multiple stage circuitry



Automatic Reset and Internal Thermal Fuse



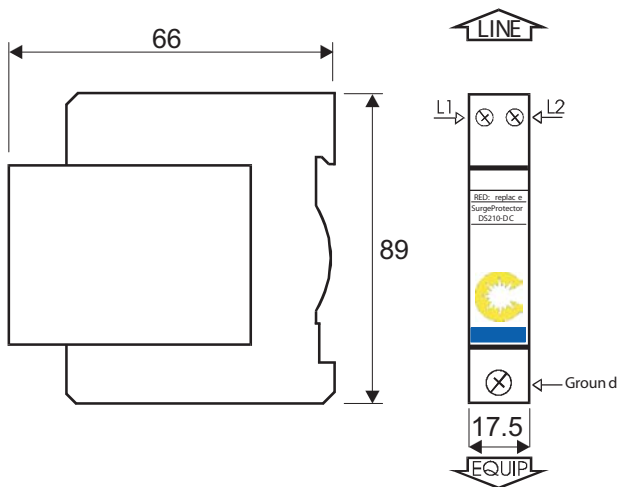
Can be easily mounted on a DIN Rail 50022

Electrical Specifications

DS210 - DC

| | DS210-12DC | DS210-24DC | DS210-48DC | DS210-75DC | DS210-95DC |
|---|------------|------------|------------|------------|------------|
| Nominal DC Voltage: | 12 V | 24 V | 48 V | 75 V | 95 V |
| Response Time: | < 5 ns | < 5 ns | < 5 ns | < 5 ns | < 5 ns |
| Nominal AC Voltage: | 10 V | 15 V | 40 V | 60 V | 75 V |
| Maximum Line Voltage: | 15 V | 30 V | 56 V | 85 V | 100 V |
| Maximum Line Current: | 10 A | 10 A | 10 A | 10 A | 10 A |
| Power Handling: (8/20μs-waveform) | 10 kA | 10 kA | 10 kA | 10 kA | 10 kA |

Mechanical Specifications



Dimensions: 89 X 66 X 17.5 (H X D X W)

Mounting: Device is mounted in parallel on a DIN Rail 50022 rail.

I/O Connections: Screw terminals

*All dimensions are in millimeters.