

# MODEL PD141AFO VIGILANTE® ANNUNCIATOR

**F**rom urgent alarms to routine messages, the PD141AFO VIGILANTE® handles all types of operational messages with simplicity and economy. The VIGILANTE® delivers clear, eye catching (and ear catching) information to the plant operators. Alarm outputs from Precision Digital meters, alarm relays, logic levels from 5 to 28 VDC, and switches for parameters such as temperature, pressure, flow, level and proximity can all be fed directly into the VIGILANTE®.

## Specifications

**NUMBER OF INPUTS:** 4 per VIGILANTE®; 8 per system

**TYPE OF INPUTS:** Momentary or maintained:

- 1. NO or NC switches:** Each input circuit contains a pull-up resistor, so it is not necessary to provide external excitation to the switch.
- 2. Open Collector Transistor:** Open circuit voltage is approximately 5 VDC.
- 3. Logic Levels:** LO = 0 to .8 VDC, HI = 4.7 to 28 VDC; input impedance: 100 KΩ

**OPERATION:** User field select: ISA Sequence A or ISA Sequence F2A (first-out)

**TYPE OF OUTPUTS:** Alarm condition indicated in three ways:

- 1. Relay:** 1 SPDT relay (2 A @ 240 VAC) per PD141AFO.  
For fail-safe design, the relay is energized in the non-alarm state. In the case of a power failure, the relay will go to the alarm state (NC contact is connected to Common contact).
  - 2. Audible:** Built-in horn
  - 3. Visual:** Red LED next to the alarm message
- ALARM MESSAGES:** Custom printed free of charge. Area available per message is 1.25" x .28" (32 mm x 7 mm); user may specify any size and length that will fit in this area. Two lines of 14 characters each at 9 point type will fit.
- POWER:** AC power: 115 VAC ± 10%, 50/60 Hz, 3VA  
230 VAC ± 10%, 50/60 Hz, 3VA  
DC power: 24-48 VDC, 2W max, 500 VDC isolation

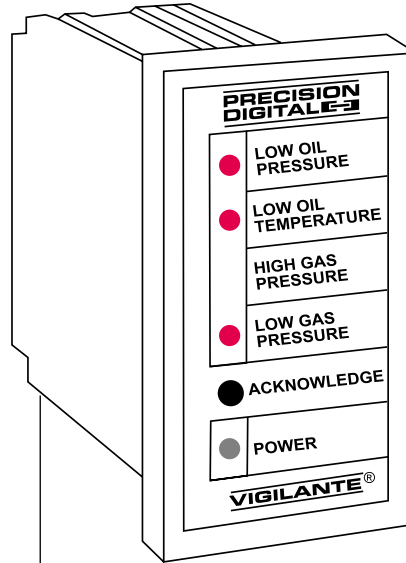
**CONNECTIONS:** Removable screw terminal block

**ENCLOSURE:** 1/8 DIN, high impact plastic, UL 94V-0

**FRONT PANEL:** NEMA 4X, panel gasket provided

**WARRANTY:** 1-year parts & labor

**EXTENDED WARRANTY:** May be extended an additional 12 months by returning the Product Registration Form within 2 months from date of purchase. Go to [www.predig.com](http://www.predig.com) for online registration.



- Field Selectable Logic:  
-ISA Sequence A  
-ISA Sequence F2A (First-Out)
- FREE Laser-Printed Message Labels
- NEMA 4X Front Panel
- Built-In Horn
- 1 SPDT Relay
- Front Panel LED Alarm & Power Indication
- 8-Point System With First-Out (2 units required)

## Operation

The VIGILANTE® can be field programmed for either ISA Sequence A or ISA Sequence F2A.

### ISA Sequence A:

#### MOMENTARY ALARM

CONDITION	LED	HORN
Normal	Off	Off
Alert	Flash	On
Normal	Flash	On
Acknowledge	Off	Off

#### MAINTAINED ALARM

CONDITION	LED	HORN
Normal	Off	Off
Alert	Flash	On
Acknowledge	Steady	Off
Normal	Off	Off

### ISA Sequence F2A (First-out):

#### MOMENTARY ALARM

CONDITION	LED		HORN
	1st Pt	Next Pt	
Normal	Off	Off	Off
Alert	Flash	Steady	On
Normal	Flash	Steady	On
Acknowledge	Off	Off	Off

#### MAINTAINED ALARM

CONDITION	LED		HORN
	1st Pt	Next Pt	
Normal	Off	Off	Off
Alert	Flash	Steady	On
Acknowledge	Steady	Steady	Off
Normal	Off	Off	Off

Please visit the Precision Digital website at [www.predig.com](http://www.predig.com) for complete information on the entire line of Precision Digital products, technical information and much more.

YOUR LOCAL DISTRIBUTOR IS:

ORDERING INFORMATION	
Model	Description
PD141AFO-2	24-48 VDC Power
<b>PD141AFO-3*</b>	115 VAC Power
PD141AFO-4	230 VAC Power

\*Quick Shipment Item, shipped within 2 working days.

# MODEL PD141AFO VIGILANTE® ANNUNCIATOR

## SETUP

The Annunciator can be set up without removing it from its case and involves two choices.

1. ISA Sequence A or ISA Sequence F2A
2. Alarm designated by a high (or open) input or by a low (or closed) input.

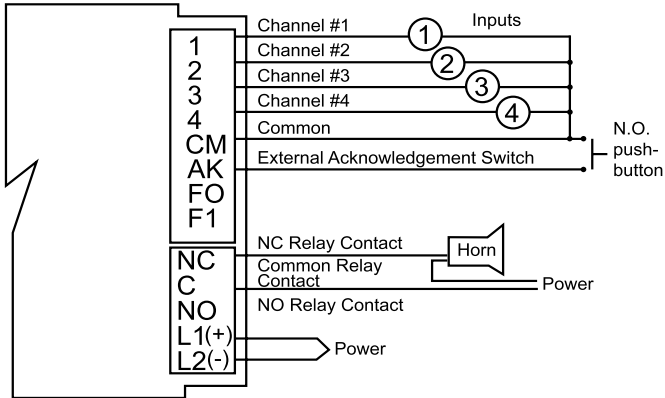
A switch located next to the screw terminals at the rear of the instrument is used to select the sequence under which the Annunciator will operate. Slide this switch toward the rear of the instrument (marked A on the PCB) for ISA Sequence A operation.

Alarm on a contact opening or closing is determined for each channel by a switch located beside the message LED for the channel.

When a switch is in the forward position, that channel will alarm when the input contact is opened. When a switch is in the rear position, that channel will alarm when the input contact is closed.

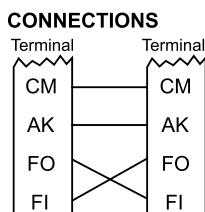
Access to these switches is gained by removing the Annunciator cover. The Annunciator cover is held in place by 6 latches that snap into notches on the snap-off cover. To remove the snap-off cover from the Annunciator, grasp it firmly on its short sides and pull it forward. The latch plate remains around the Annunciator case.

## SIGNAL & POWER CONNECTIONS



## CONNECTING TWO ANNUNCIATORS TOGETHER

Two Annunciators may be connected together to form an 8 input system. If the Annunciators are programmed for ISA Sequence F2A, they will detect which of 8 inputs was first to alarm. The Acknowledgement switches will be wired together, so either one can be used to acknowledge an alarm. However, each Annunciator relay will operate independently, so it may be necessary to wire them in parallel to drive a single alarm device. Each Annunciator horn also operates independently.



## MESSAGE LABELS

Alarm message labels for the Annunciator may be factory printed at no charge, or field printed using a laser printer with clear self-adhesive labels.

Factory printed message labels may be ordered at any time by completing the following form. (Note: message #1 is the top message. Make copies of this page for additional message labels.

\_\_\_\_\_ Please include label with my order  
 \_\_\_\_\_ I have the Annunciator, please send ASAP

Quantity \_\_\_\_\_  
 Name \_\_\_\_\_  
 Title \_\_\_\_\_  
 Company \_\_\_\_\_  
 Mailing Address \_\_\_\_\_  
 City, St., Zip \_\_\_\_\_  
 Phone \_\_\_\_\_  
 Fax \_\_\_\_\_  
 E-Mail \_\_\_\_\_  
 PO# \_\_\_\_\_

Area available per message is 1.25" x .5" (32 mm x 12.7 mm); user may specify any size and length that will fit in this area. Two lines of 14 characters each at 9 point type will fit.

Message Number 1

--	--	--	--	--	--	--	--	--	--	--	--	--	--	--	--

Message Number 2

--	--	--	--	--	--	--	--	--	--	--	--	--	--	--	--

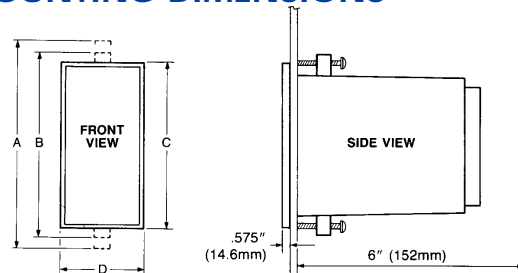
Message Number 3

--	--	--	--	--	--	--	--	--	--	--	--	--	--	--	--

Message Number 4

--	--	--	--	--	--	--	--	--	--	--	--	--	--	--	--

## MOUNTING DIMENSIONS



### DIMENSIONS:

- A: 4.83" (123 mm) req'd for installation
- B: 4.30" (109 mm) installed
- C: 4.25" (108 mm)
- D: 2.30" (59 mm)

### NOTES:

1. Panel cutout required- 3.622" x 1.772" (92 mm x 45 mm) 1/8 DIN
2. Panel thickness: .125"-.250" (3.17 mm-6.34 mm)
3. Allow 6 inches (152 mm) behind panel
4. Weight: 12 oz (340 g)

LIM141AFO Rev A 5/00

PRECISION DIGITAL CORPORATION

CORPORATE HEADQUARTERS

19 Strathmore Road • Natick MA • 01760 • USA • Tel: (800) 343-1001 • Fax: (317) 216-1277



www.predig.com