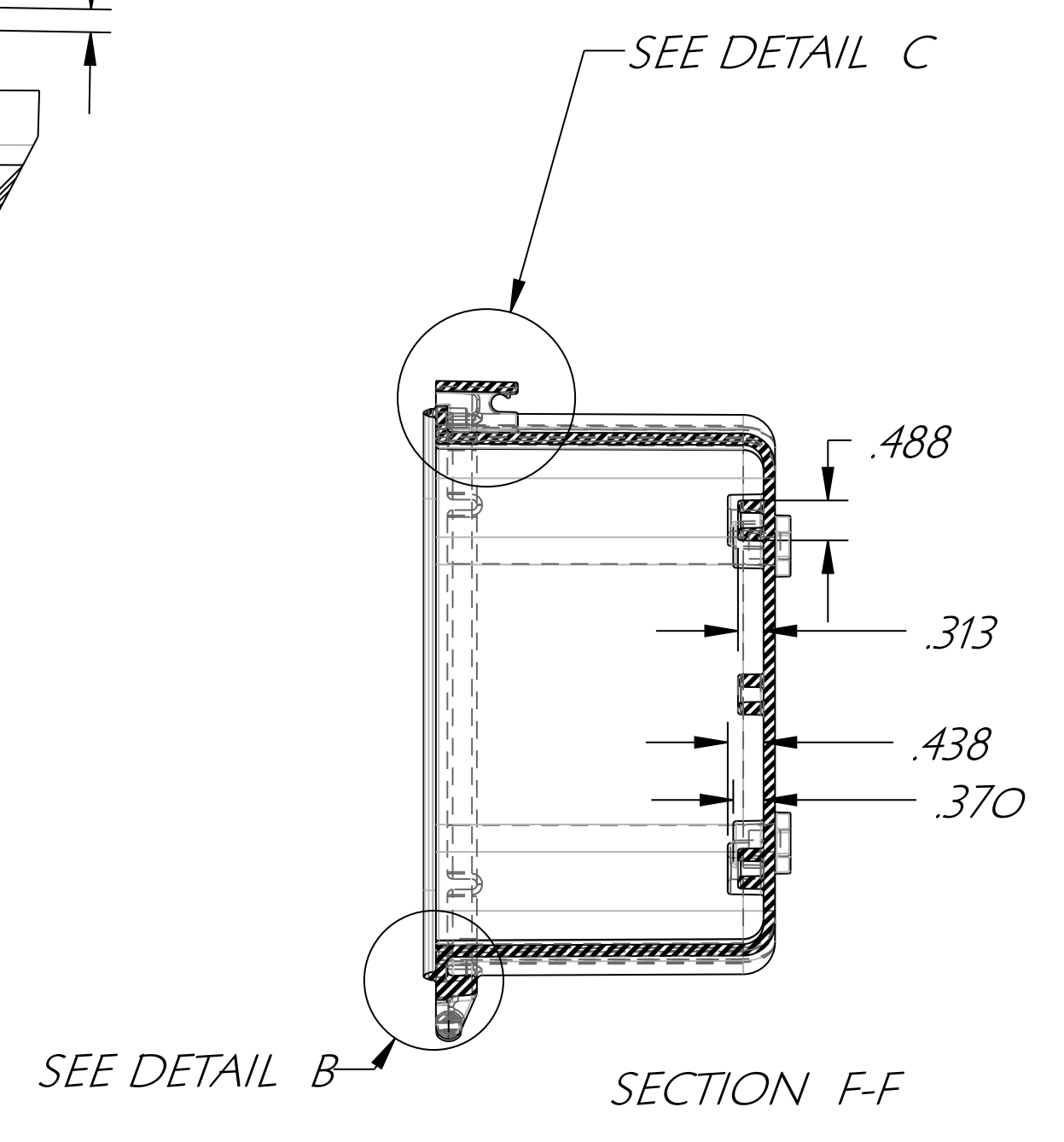
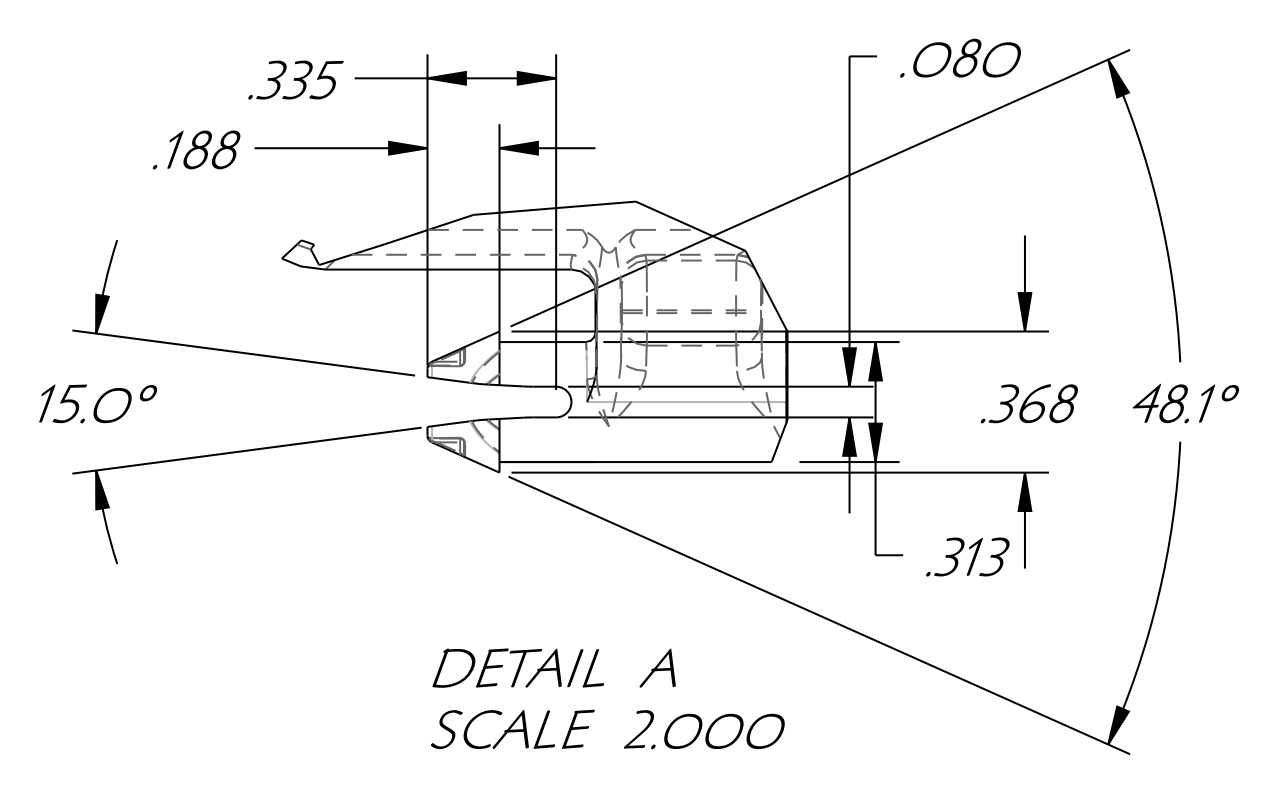
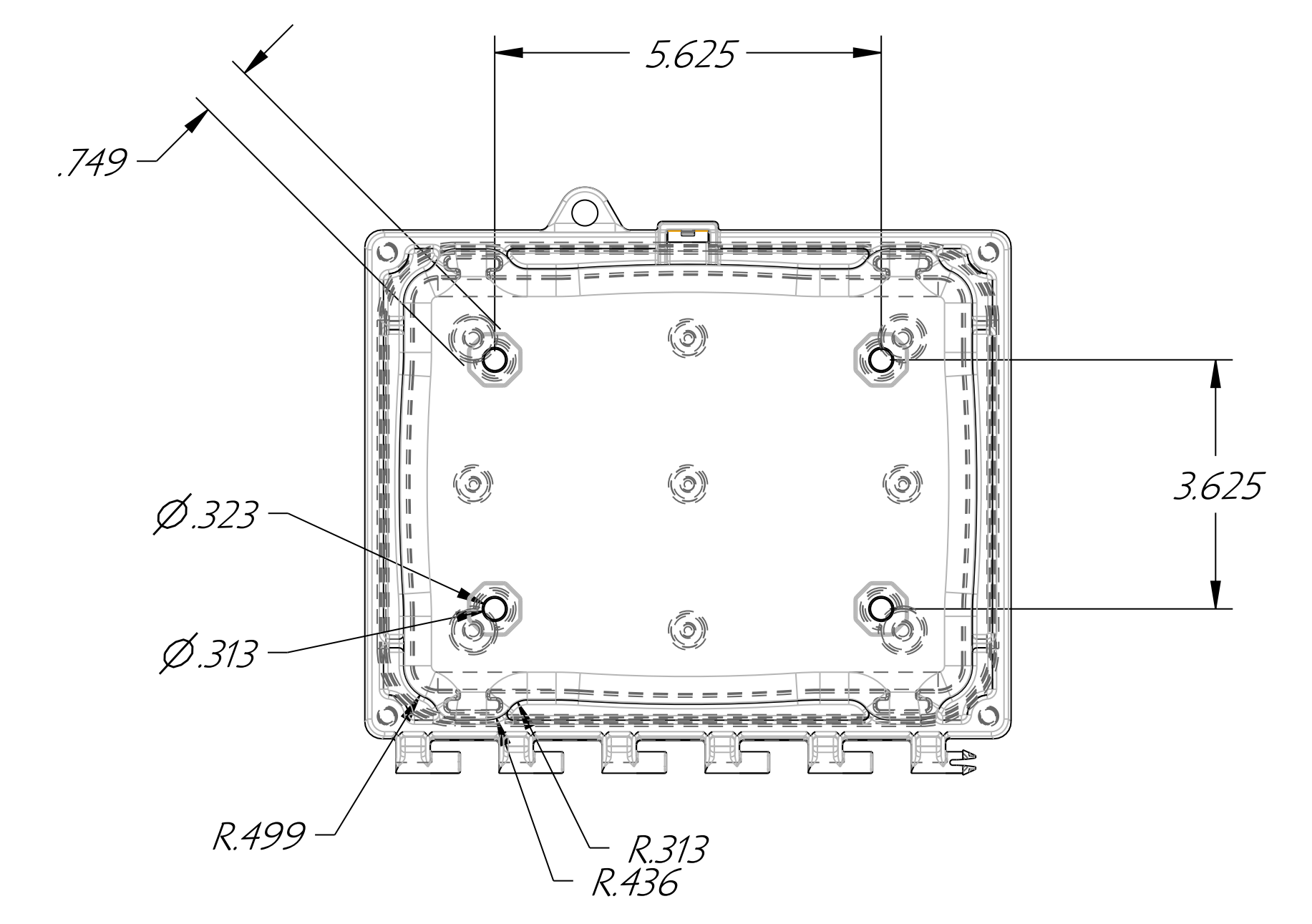


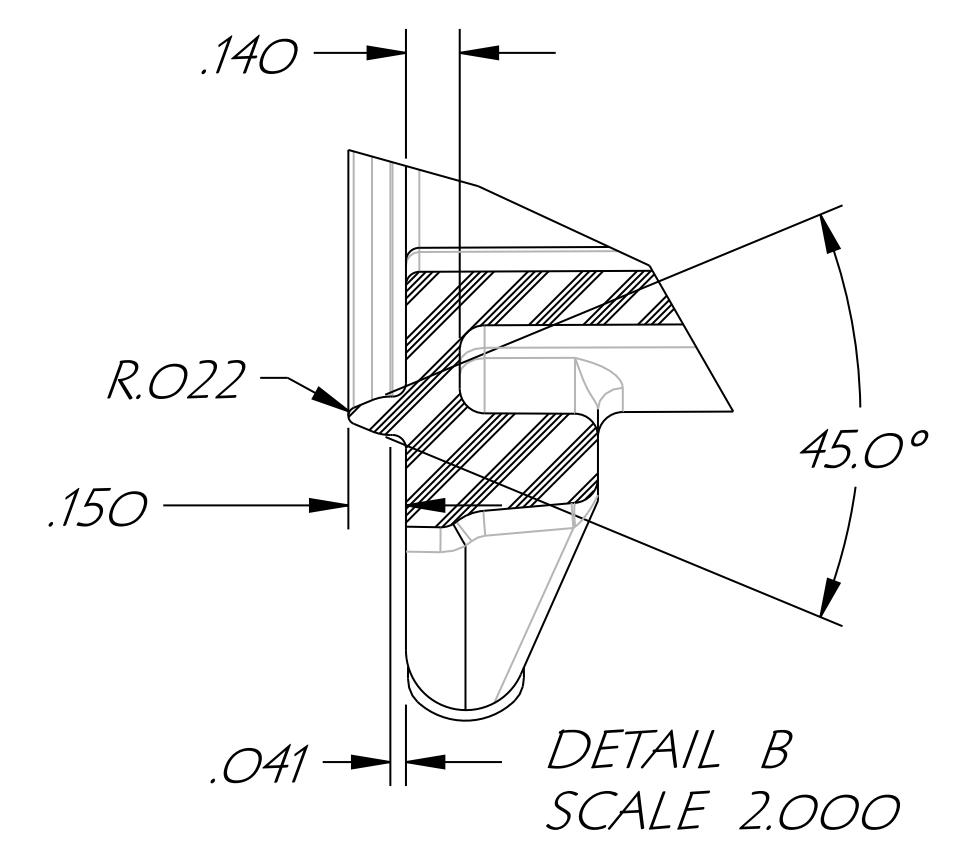
DETAIL C  
SCALE 2.000



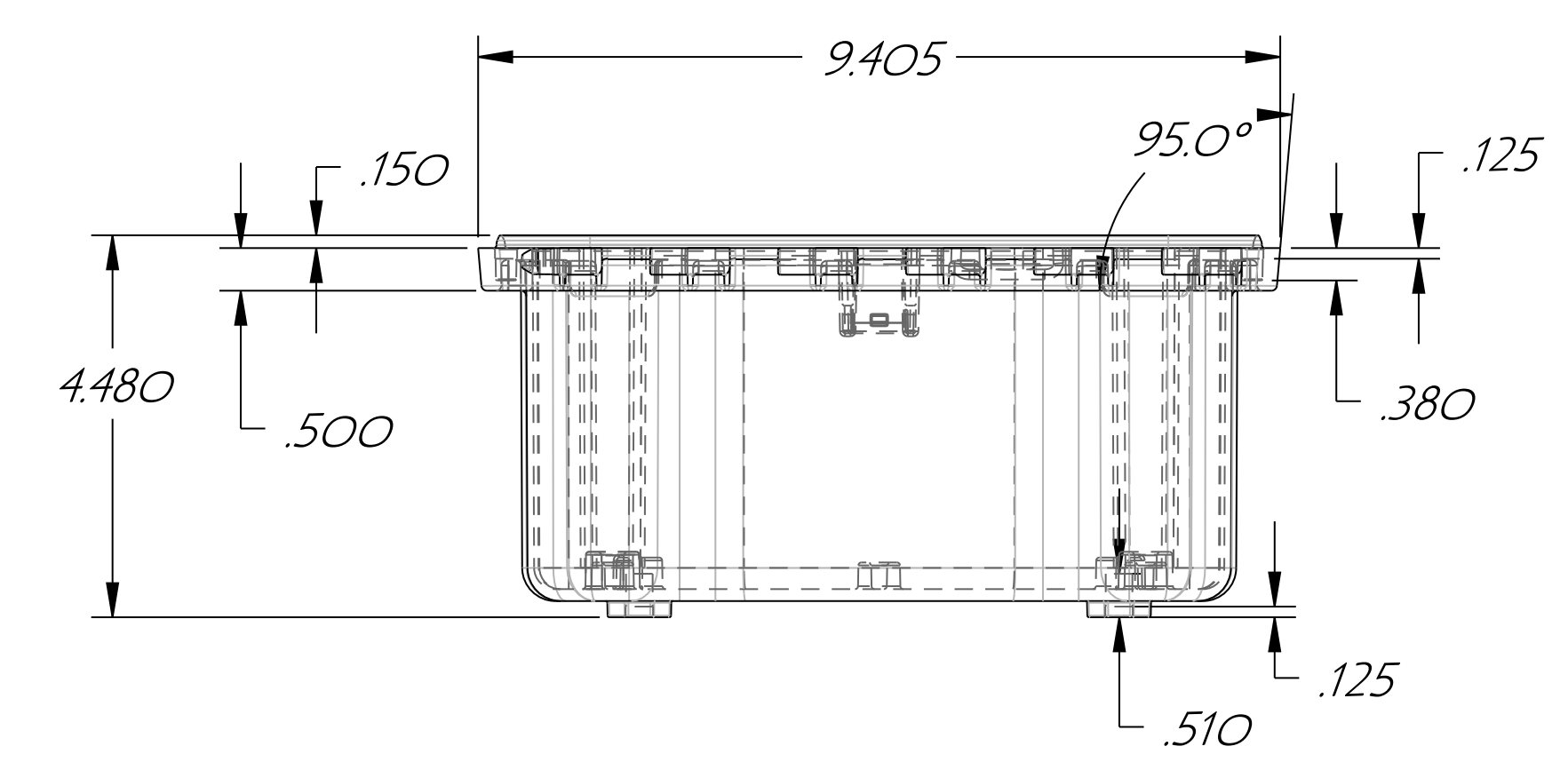
SECTION F-F



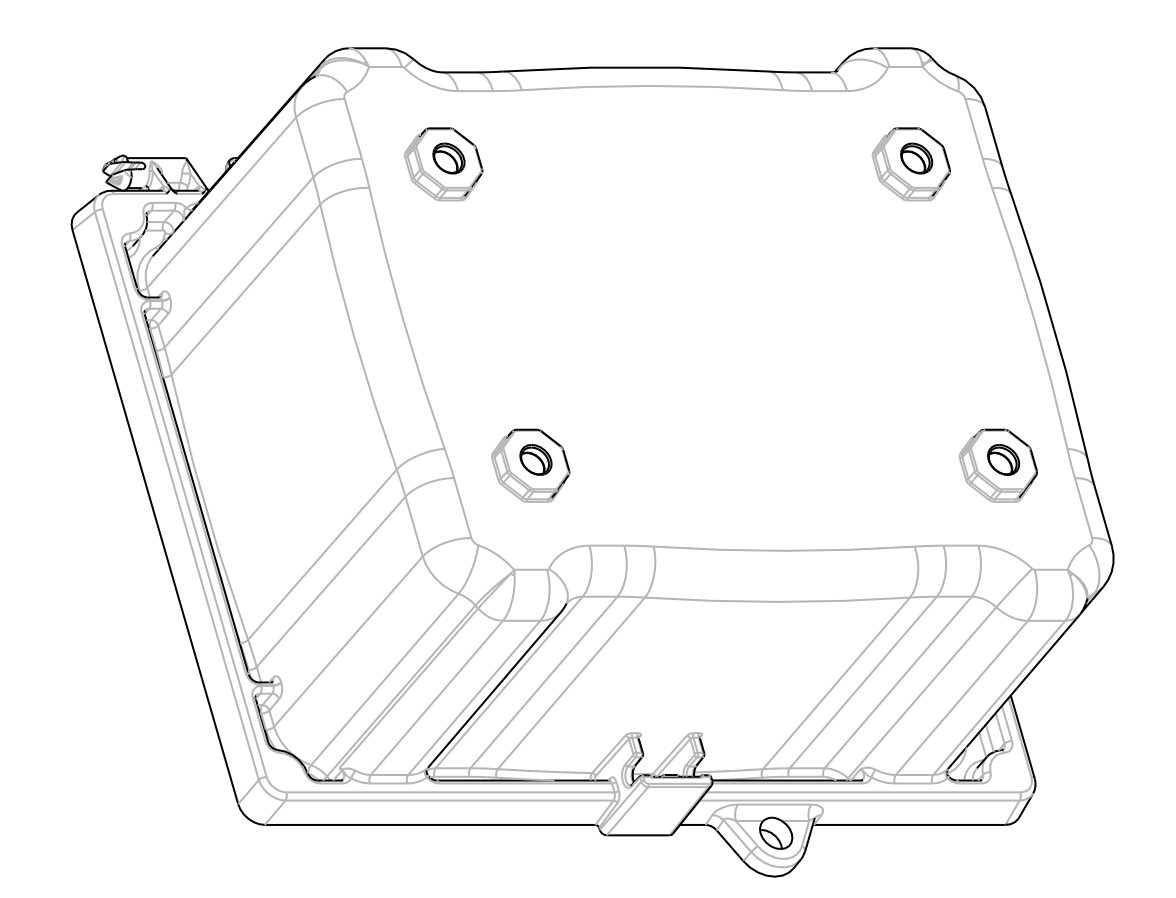
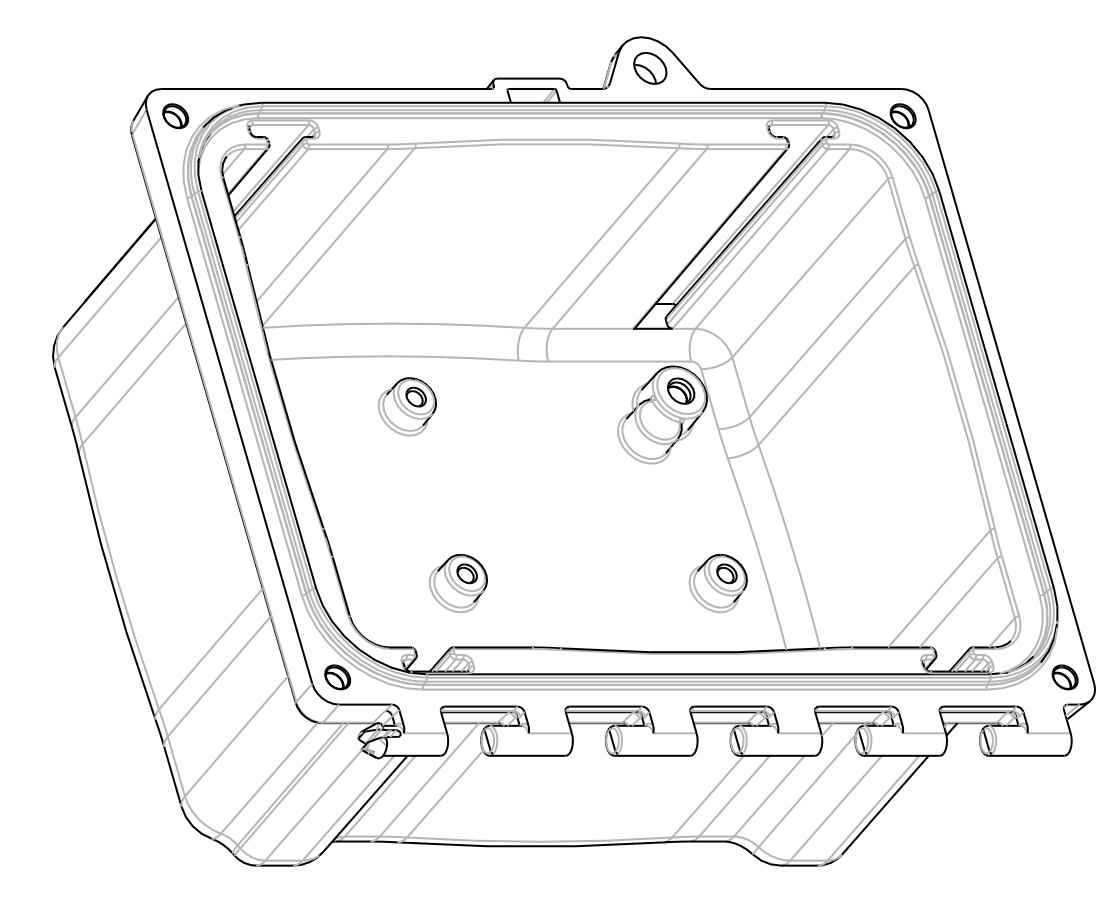
DETAIL A  
SCALE 2.000



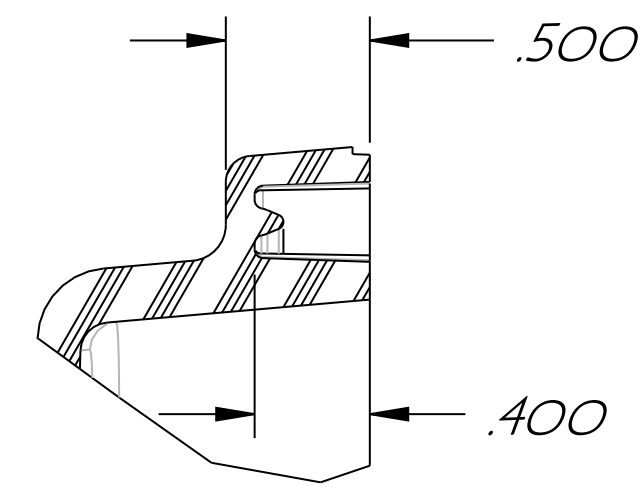
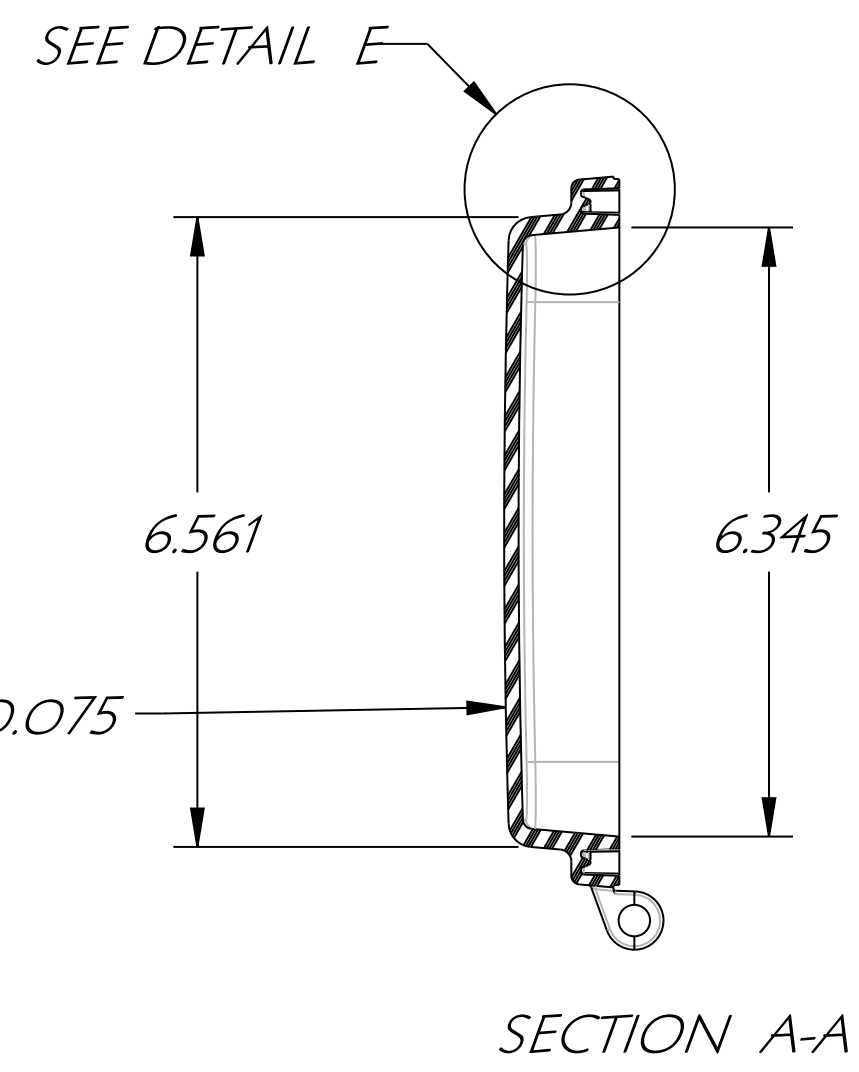
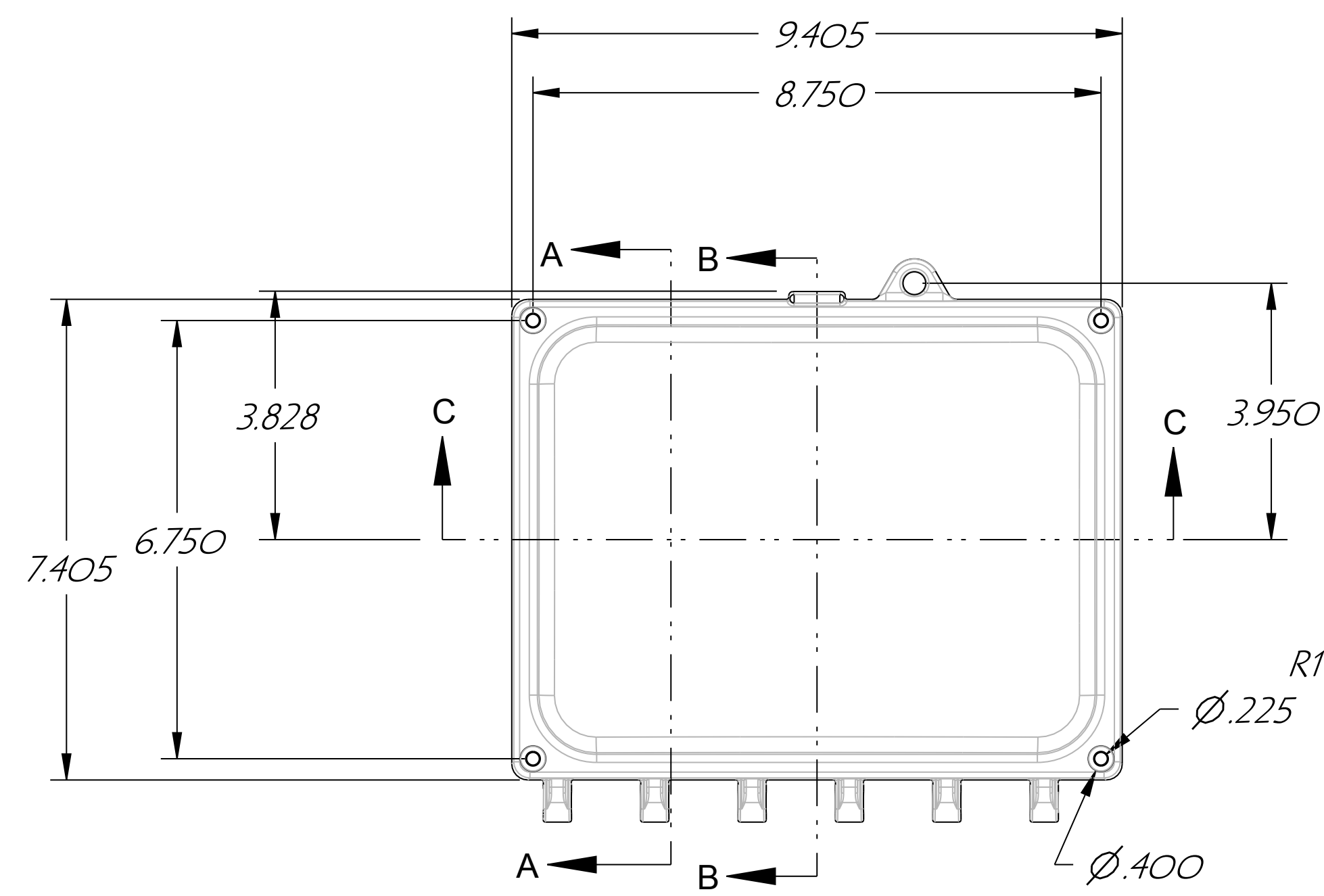
DETAIL B  
SCALE 2.000



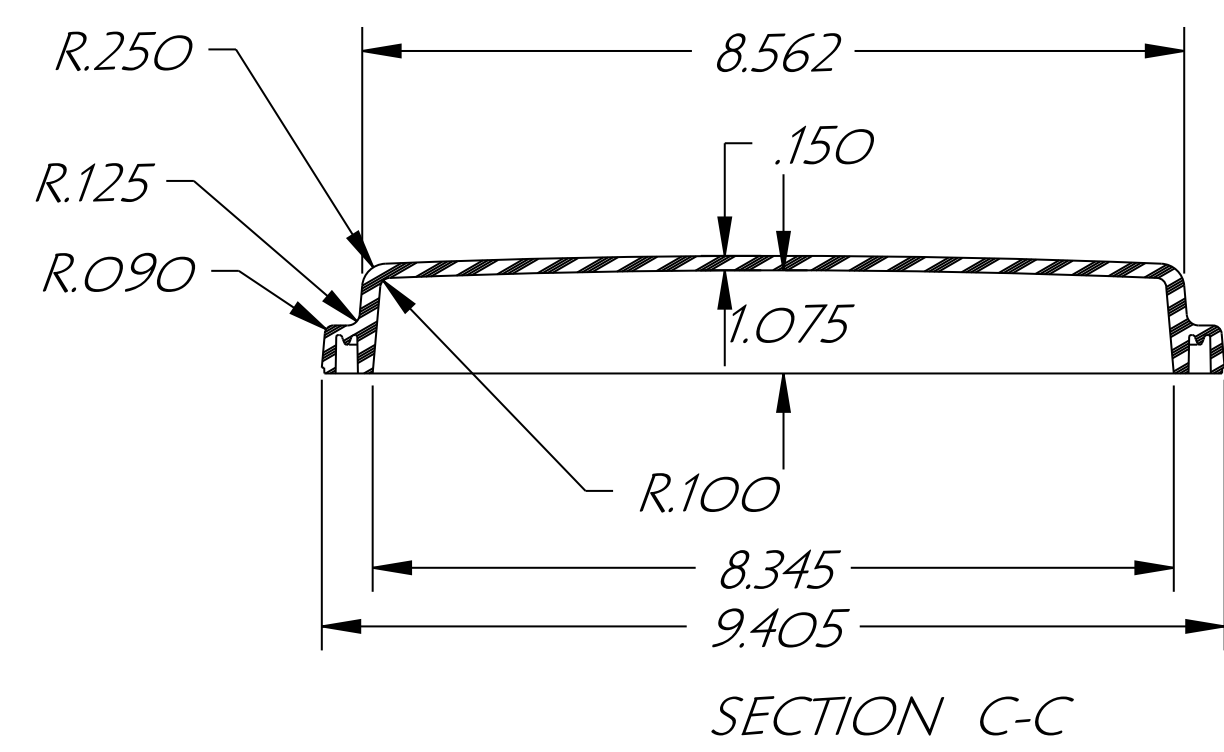
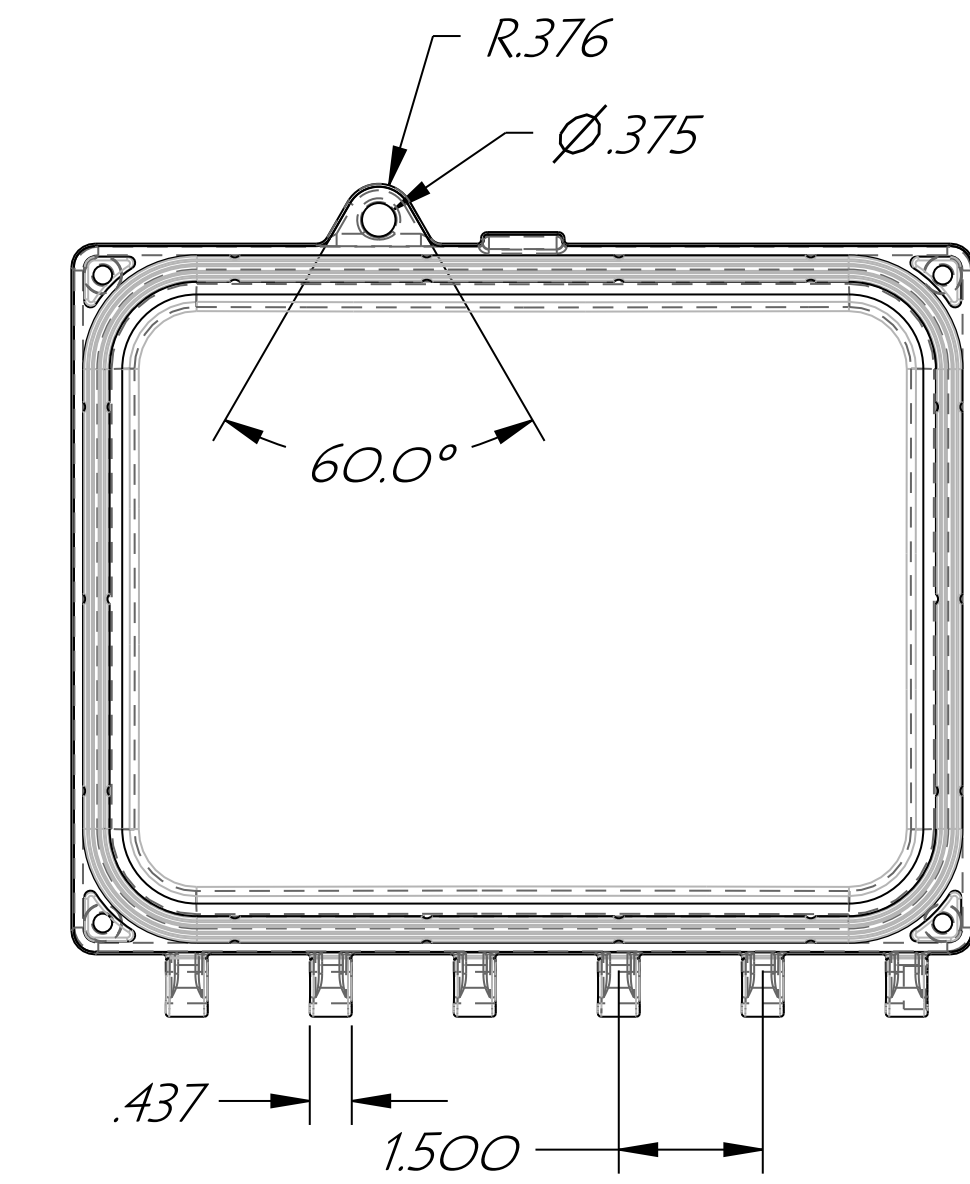
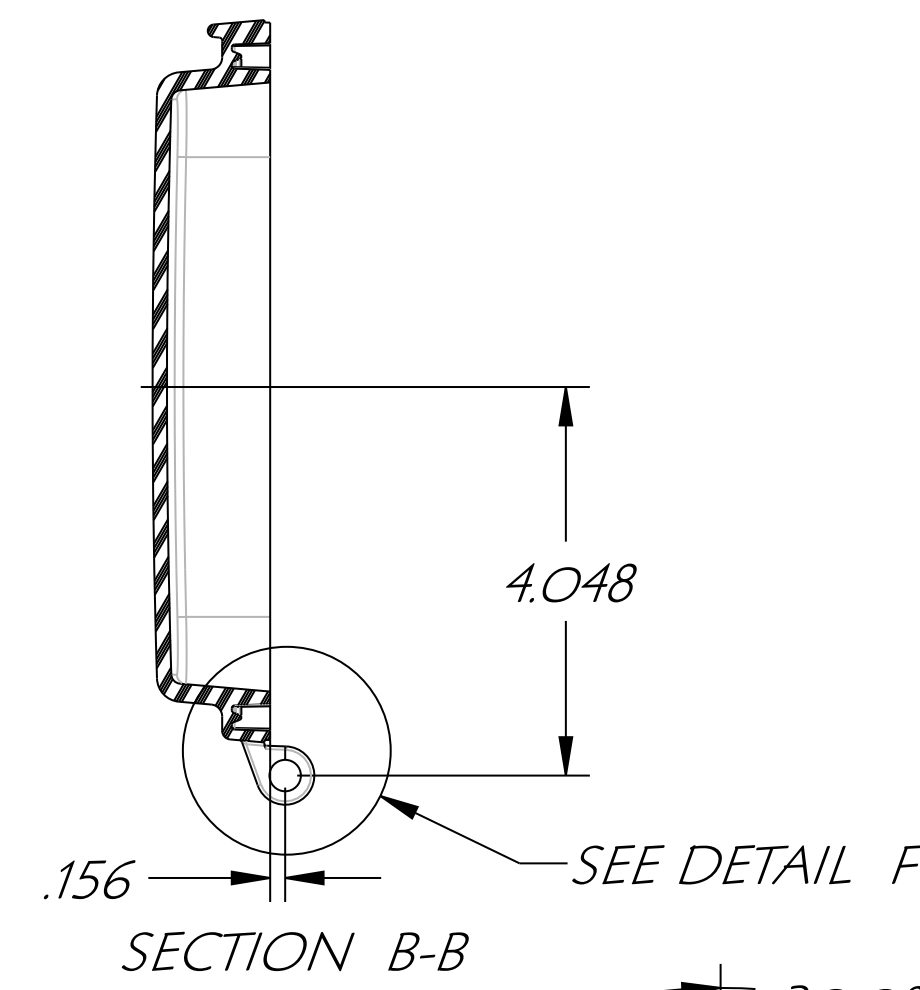
8 X 6 ENCLOSURE



DES. C.R.W. DRN. C.R.W. CHKD.	<b>ATTABOX</b>		CUSTOMER	
APP. DATE 10/16/07 SCALE				
TOLERANCES: UNLESS OTHERWISE SHOWN	2 PLACE DEC. 010 3 PLACE DEC. 005 4 PLACE DEC. 0005 ± 1/64	PART NAME ENCLOSURE & LID	PART NO.	PART MAT'L POLYCARBONATE
		TOOL DESC. SINGLE CAVITY INJECTION MOLD	SHRINK .006/IN.	SHEET OF

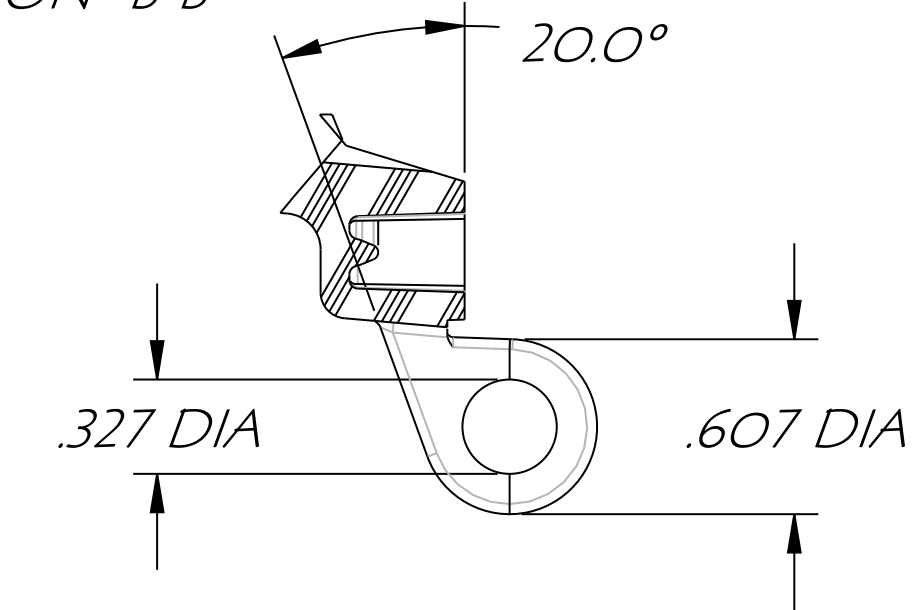


DETAIL E  
SCALE 1.500

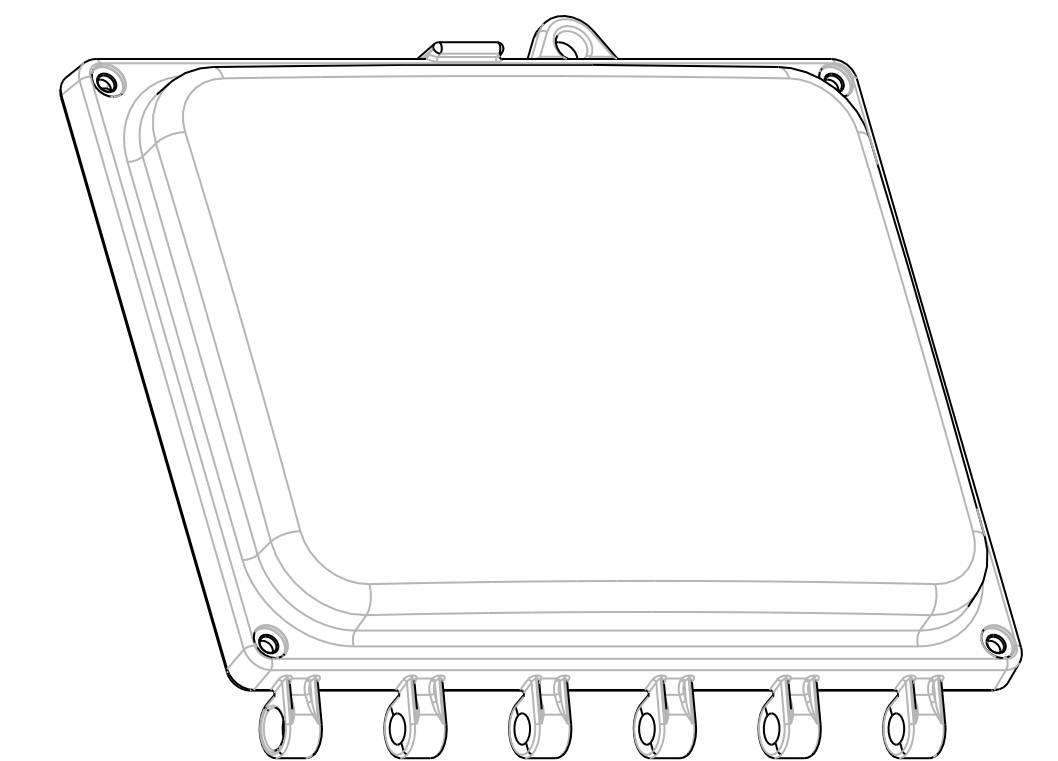
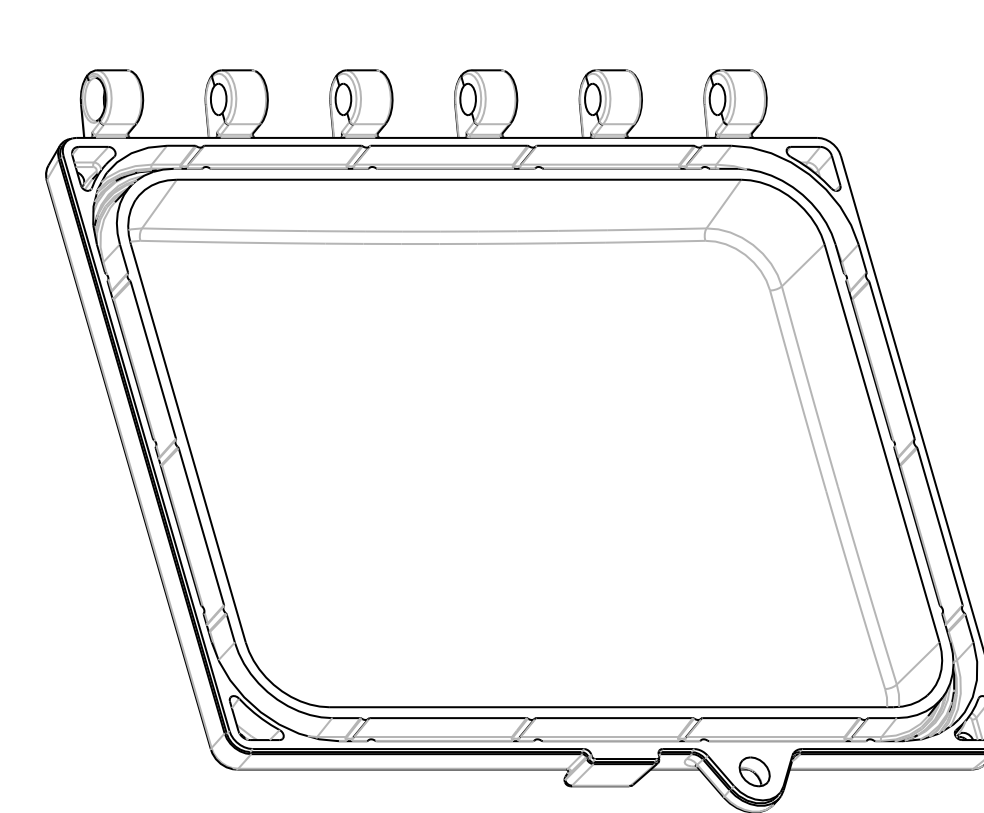
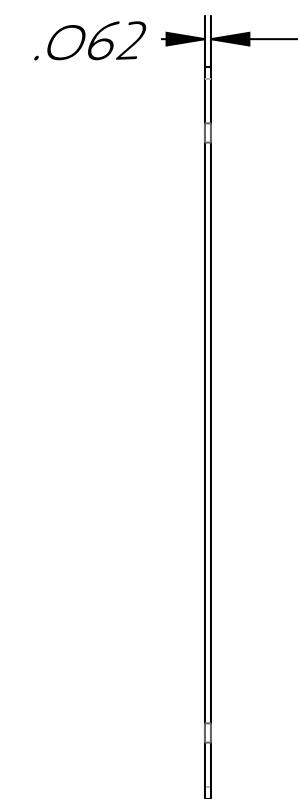
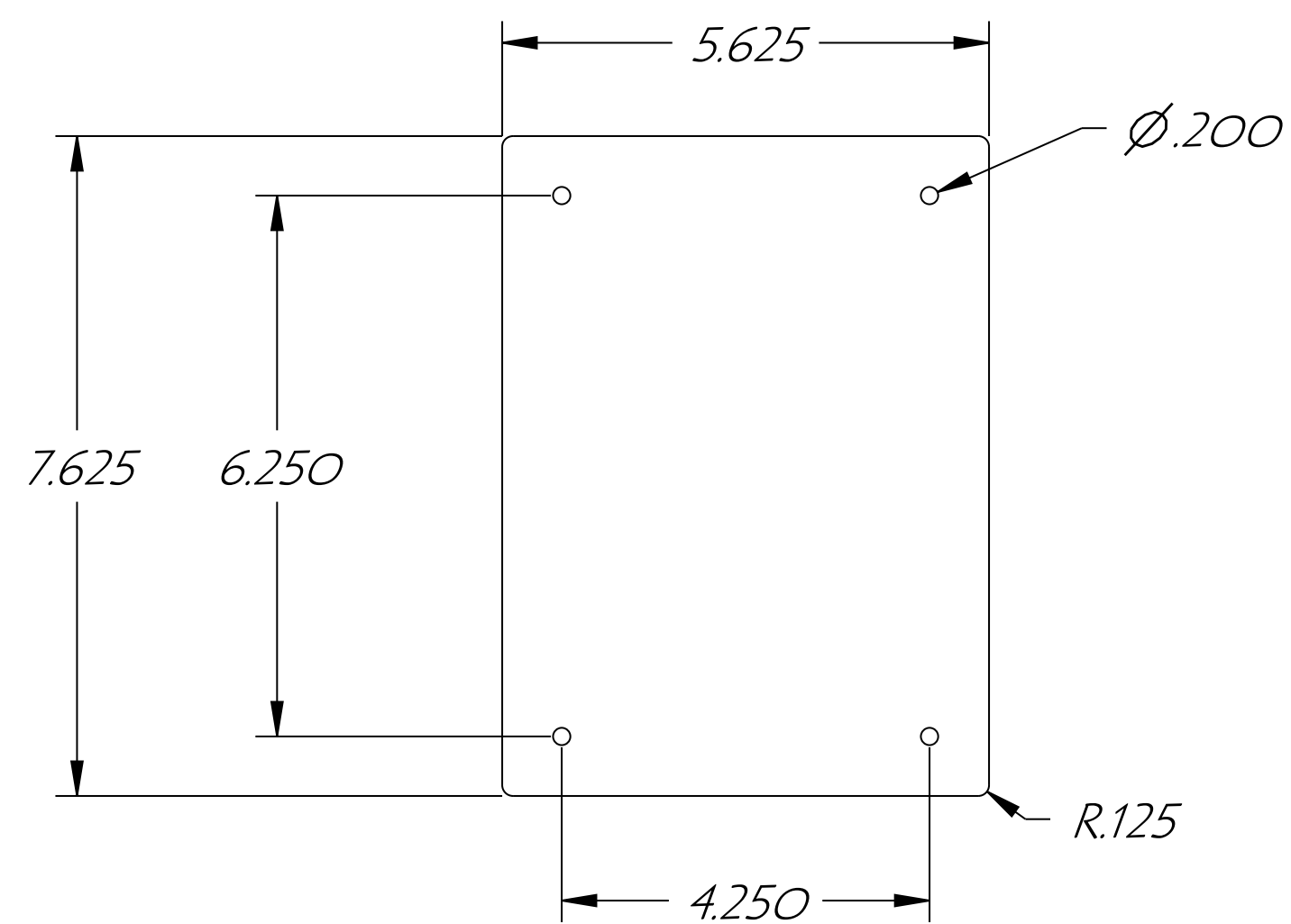


SECTION C-C

# 8 X 6 LID

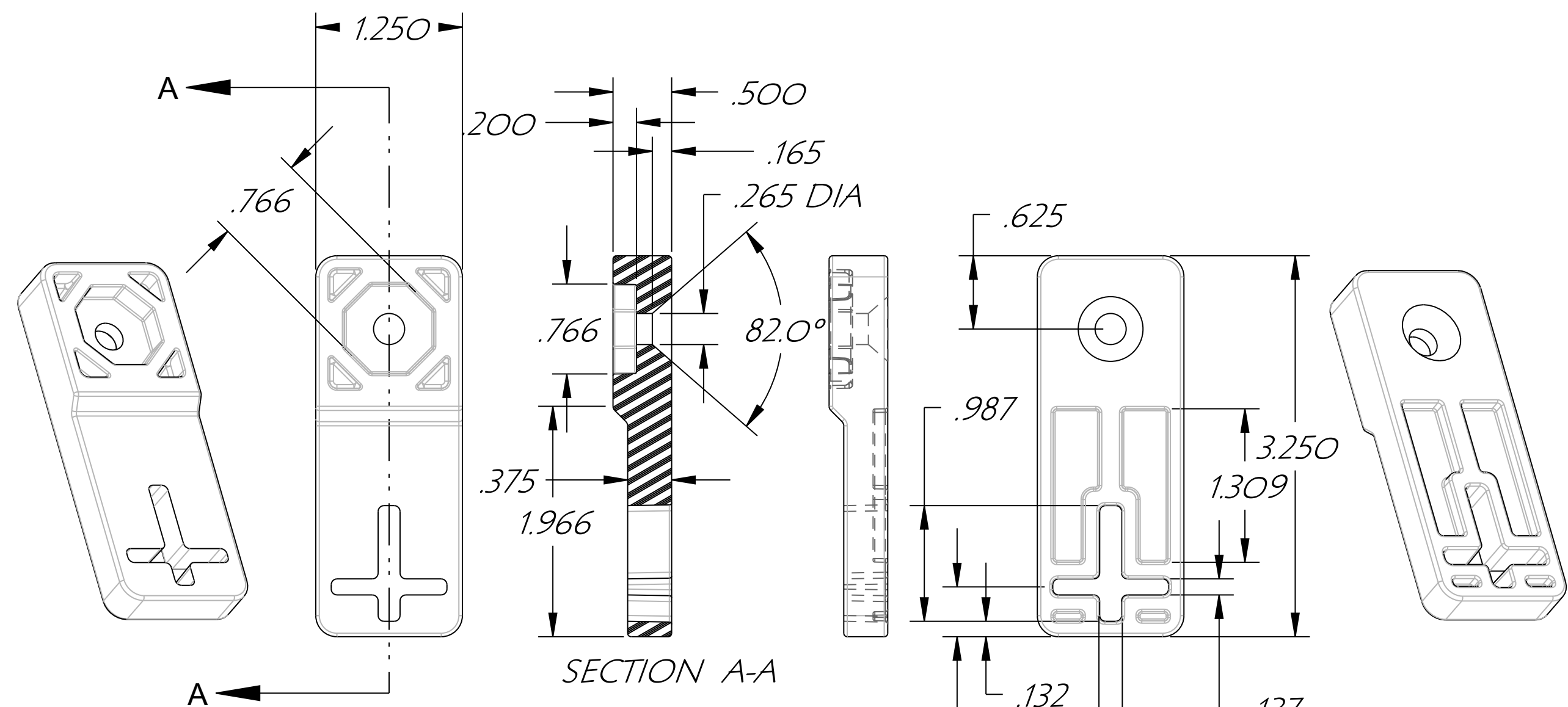


DETAIL F  
SCALE 1.500



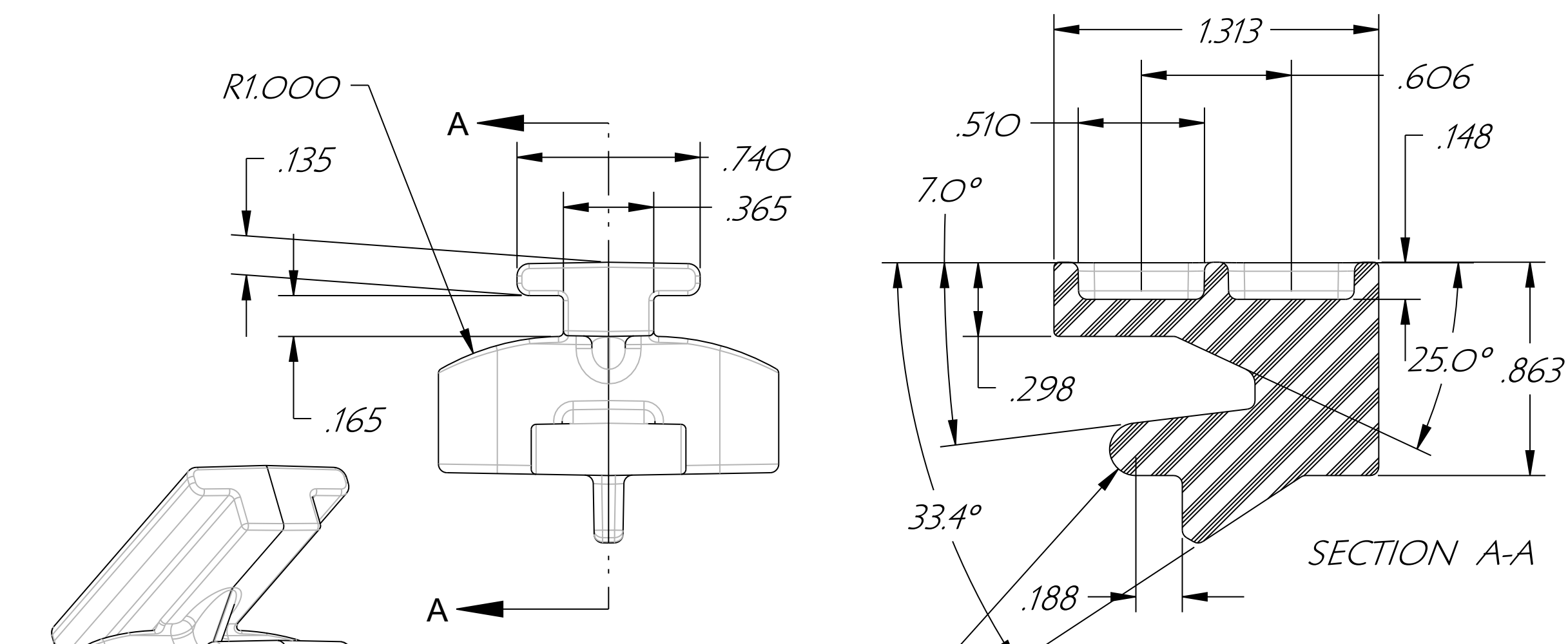
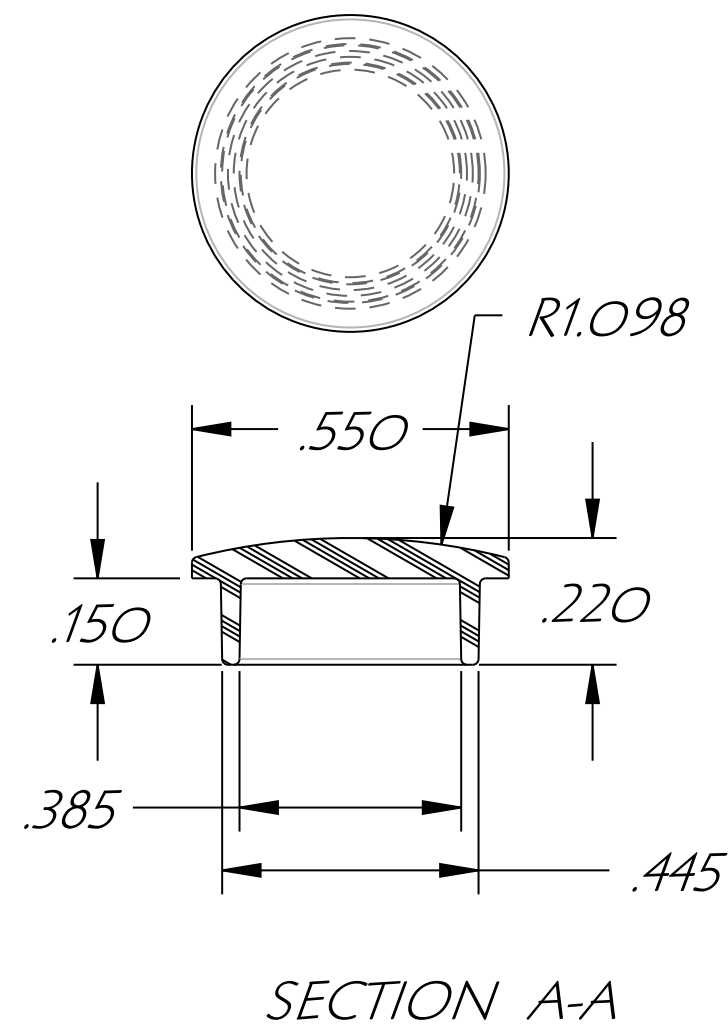
## SUB PANEL OR SWING PANEL

DES. C.R.W. DRN. C.R.W. CHKD.	<b>ATTABOX</b>		CUSTOMER	
APP. DATE 10/16/07 SCALE			PART NAME ENCLOSURE & LID	PART NO.
TOLERANCES: 2 PLACE DEC. 010 FRACTIONAL	TOOL DESC. SINGLE CAVITY INJECTION MOLD	SHRINK .006/IN.	SHEET OF	
UNLESS OTHERWISE SHOWN 3 PLACE DEC. 005 ± 1/64				

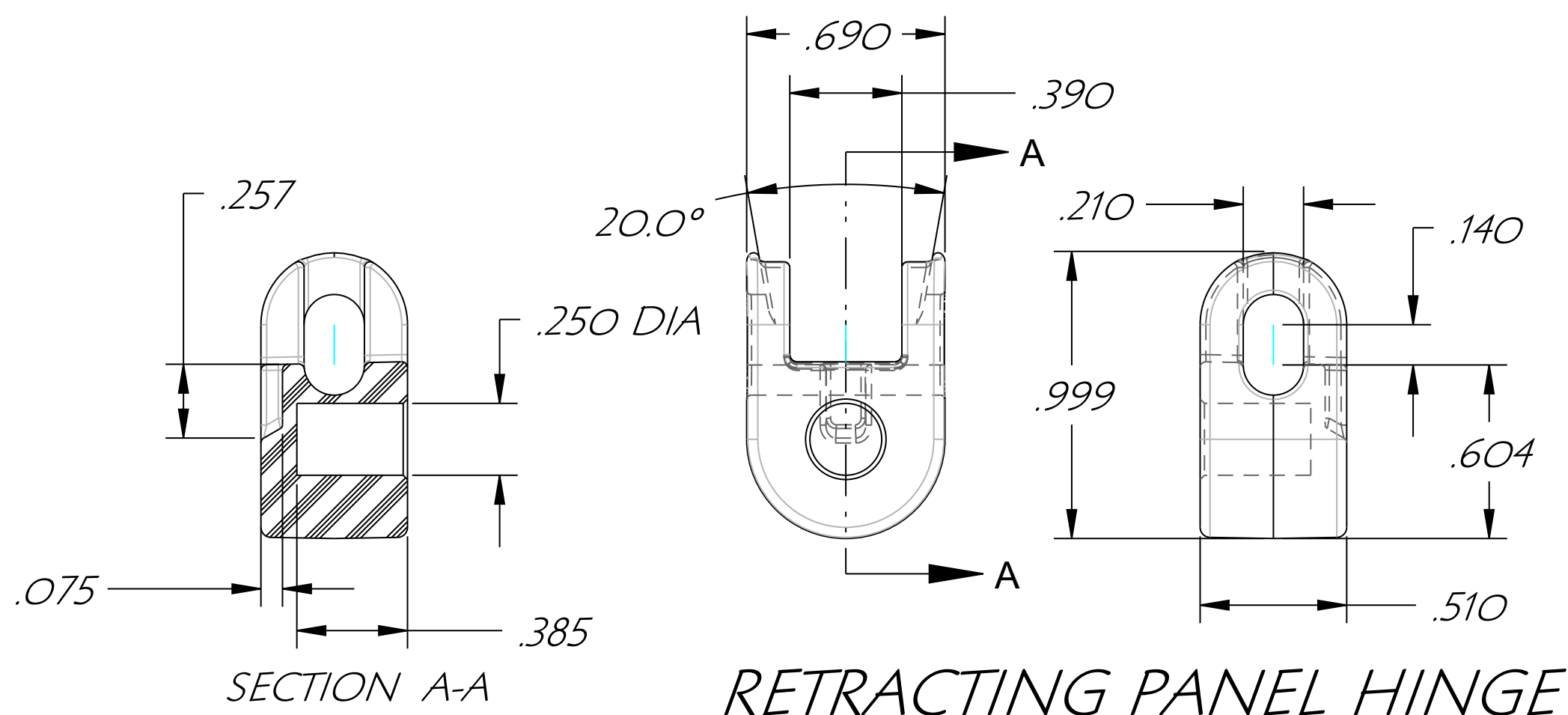


ADJUSTABLE FOOT MOUNT

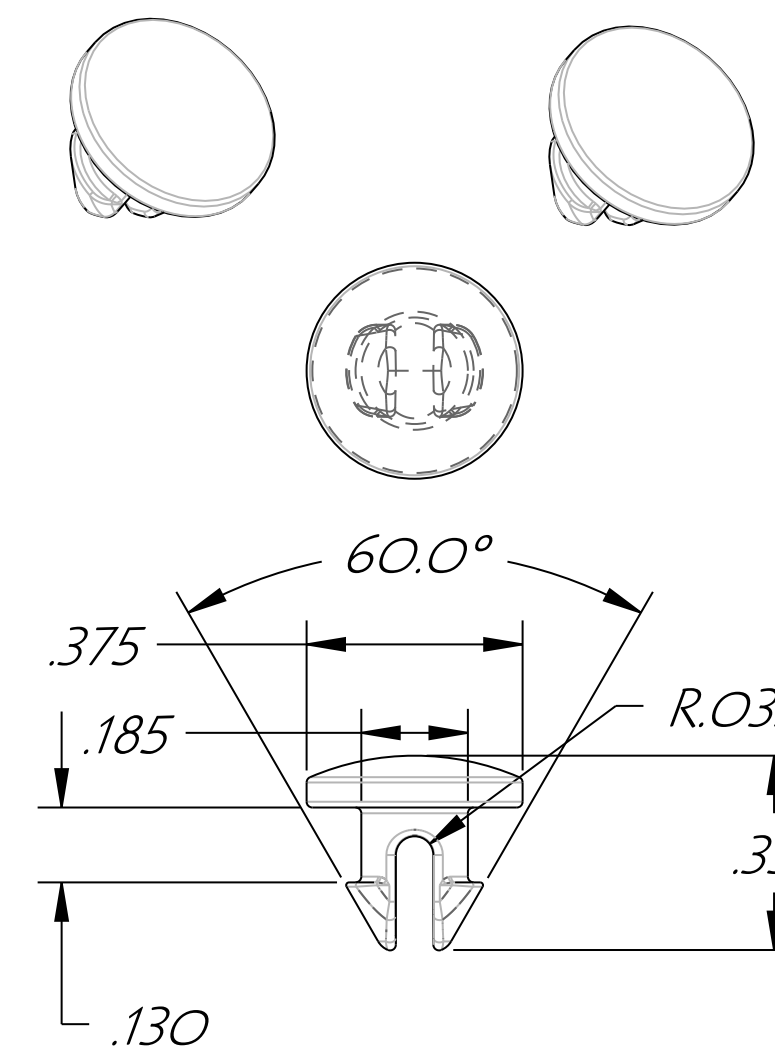
LID HINGE CAP



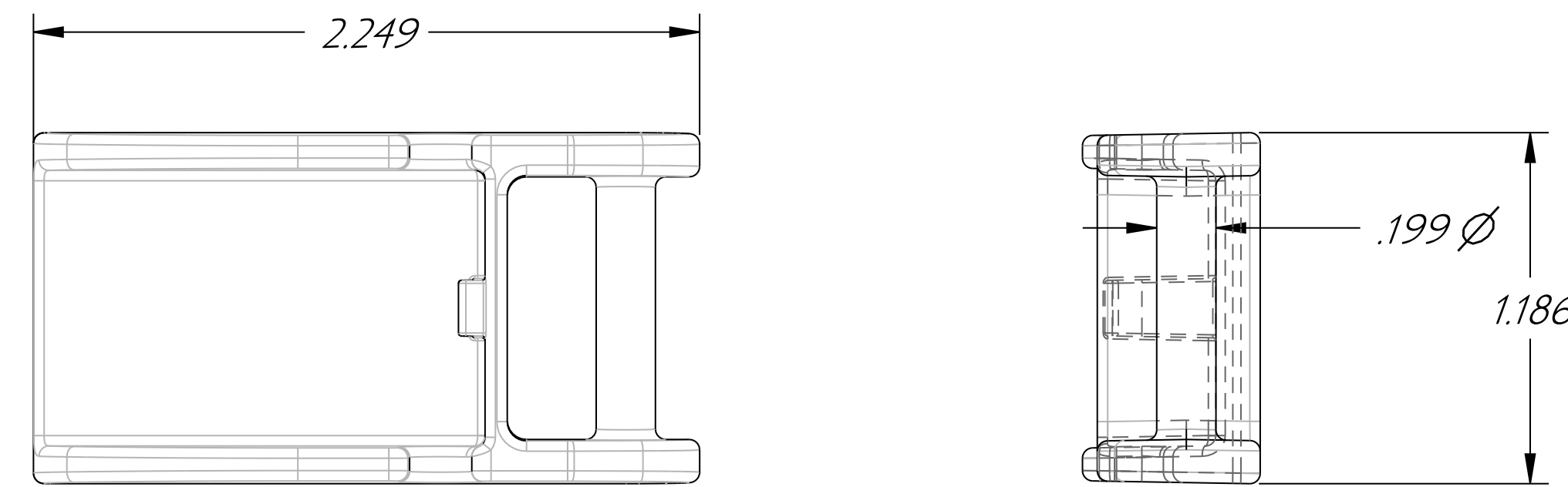
FLUSH PANEL MOUNT



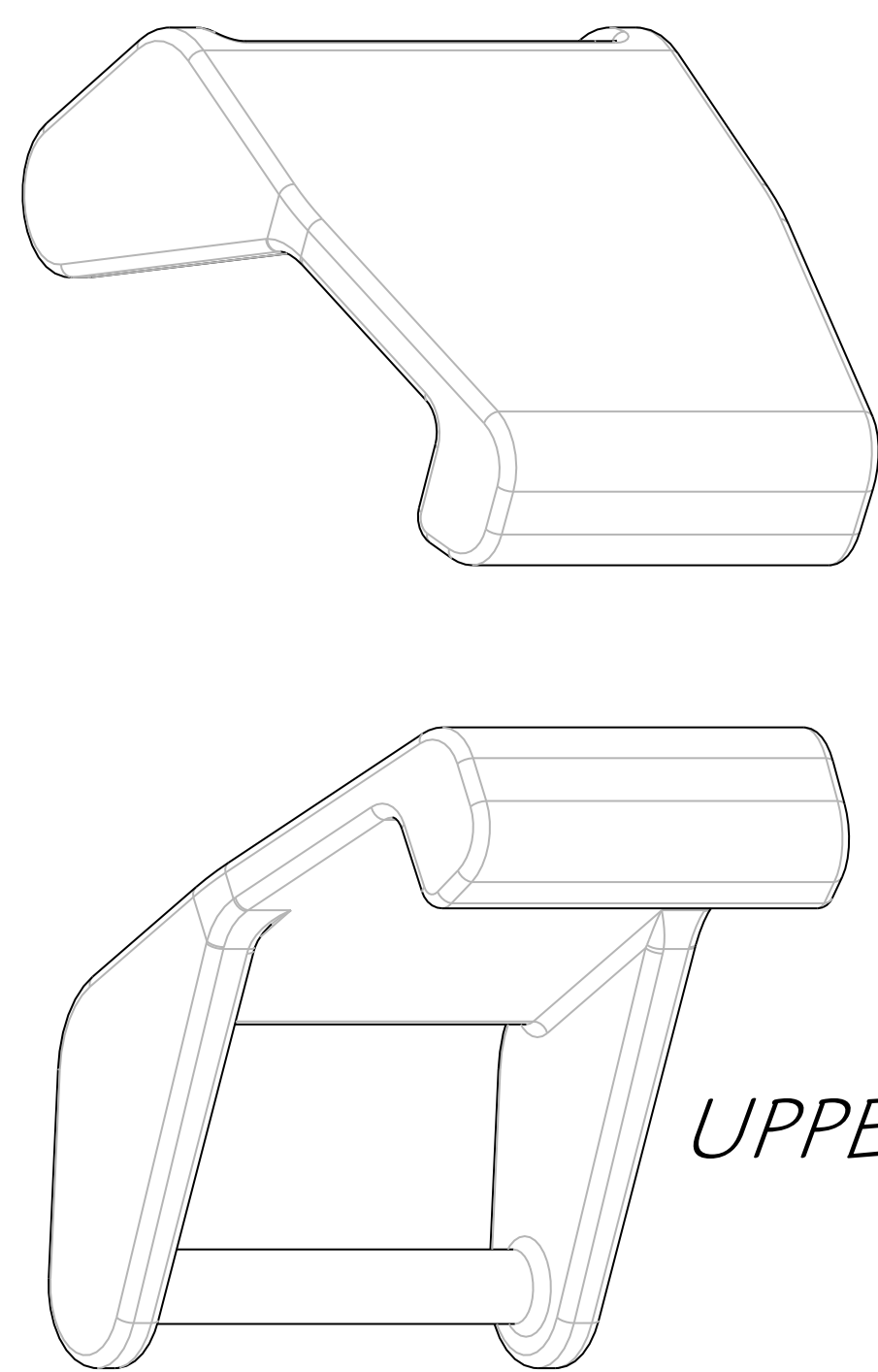
RETRACTING PANEL HINGE



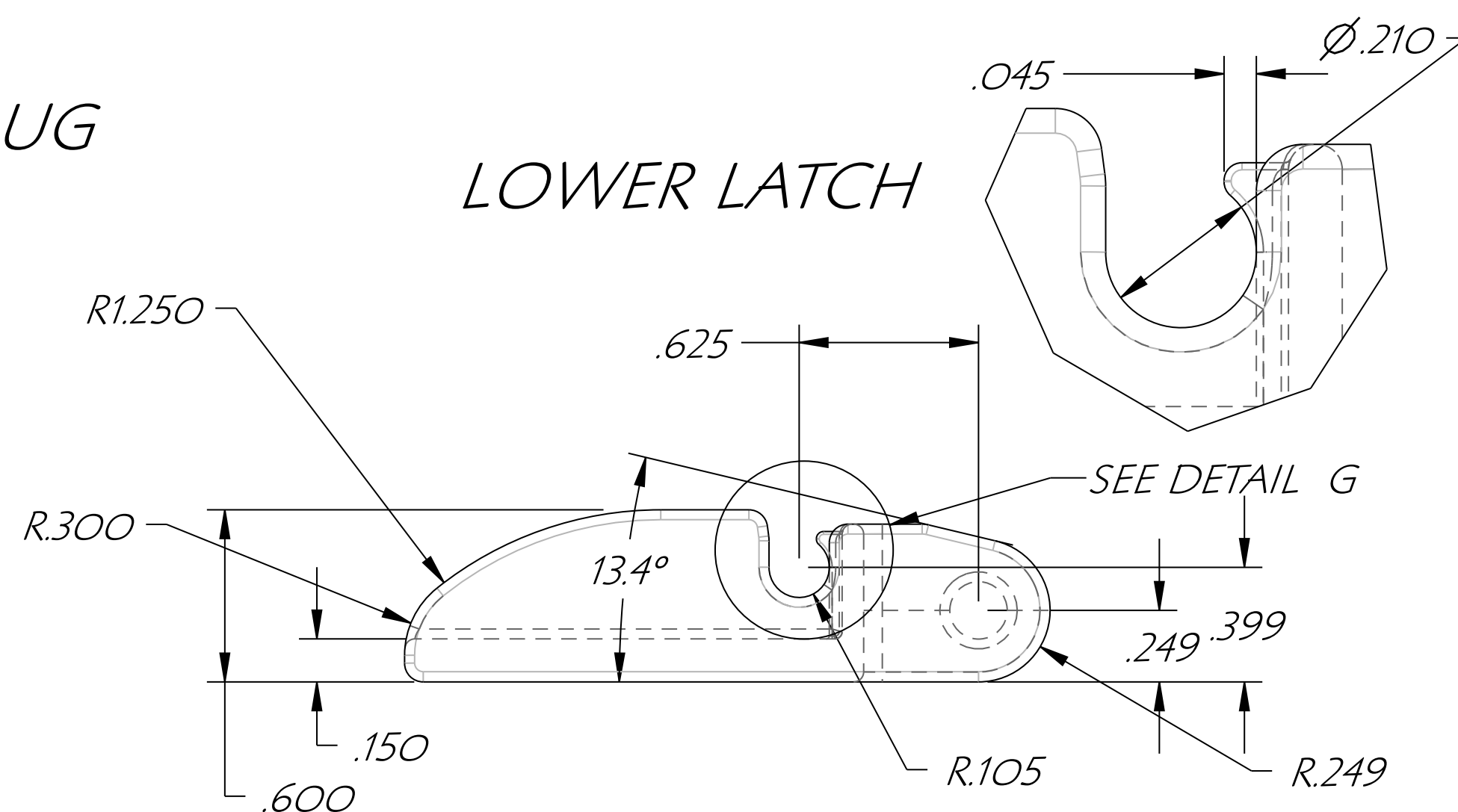
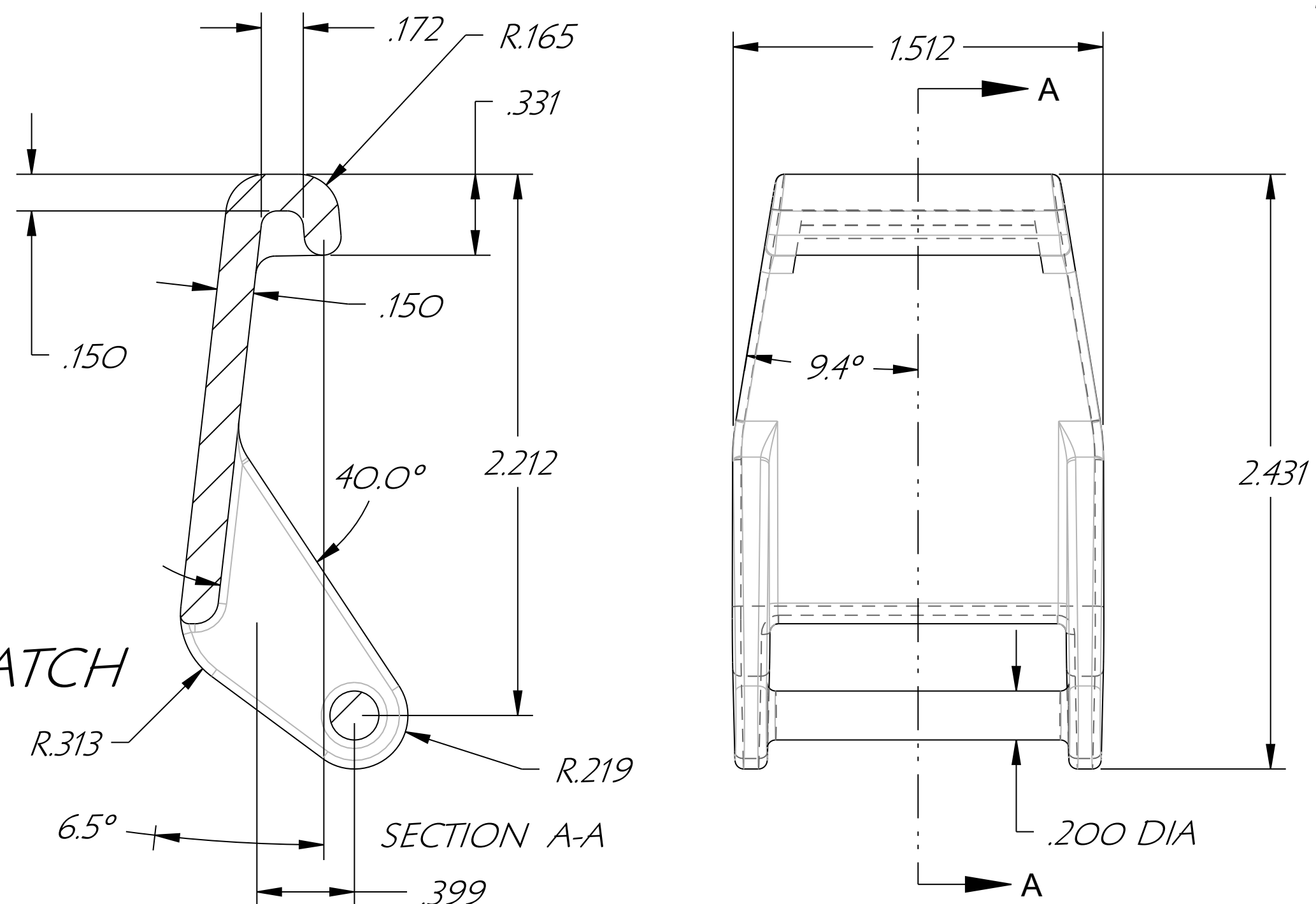
PLUG



LOWER LATCH



UPPER LATCH



DES. C.R.W.	DRN. C.R.W.	CHKD. CHK.	ATTABOX		CUSTOMER
APP. DATE 10/16/07	SCALE		PART NAME ENCLOSURE & LID	PART NO.	PART MAT'L POLYCARBONATE
TOLERANCES: 2 PLACE DEC. .010	FRAC.		TOOL DESC. SINGLE CAVITY INJECTION MOLD	SHRINK .006/IN.	SHEET OF
UNLESS OTHERWISE SHOWN	4 PLACE DEC. .0005	± 1/64			