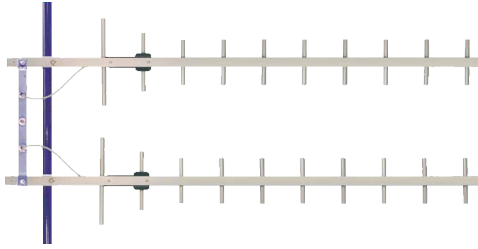


4152

17 dBi GAIN
915MHz BAND DUAL STACKED
10 ELEMENT HEAVY DUTY YAGI



FEATURES

- High Performance
- Rugged
- Weatherproof
- Lightweight
- Durable

DESCRIPTION

This kit includes two (2) 4025 heavy duty yagi antennas that are terminated with Type N male connectors that mate with a supplied 4074 two-port coupler. The coupler adds the output of the two antennas and provides approximately 2X the signal of one antenna (3dB).

A yagi antenna can be operated with the elements mounted vertically or horizontally, but the most common use

for industrial wireless is vertical. The transmitting and receiving antenna must both have the same element polarization for satisfactory operation. A large loss in signal is experienced when the elements are crossed polarized.

When a vertical omnidirectional antenna is used on the control end of a polling system, a yagi can be used on each slave unit for maximum gain

front to back ratio gain reduction.

These heavy duty yagi antennas are constructed of 1" aluminum U channel with 3/8" solid elements. All exposed areas are coated with UV polyester. The balun assembly is filled and sealed with elastomeric thermoplastic.

The output of the 4074 two-port coupler is a Type N Female connector.

SPECIFICATIONS

ELECTRICAL GAIN

17dBi
Front to Back Ratio
20dB

FREQUENCY

896-960MHz

IMPEDANCE

50 ohms

VSWR

60MHz
<1.5:1

POWER RATING

300 watts

CONNECTOR

Type N Female On 2
Port Coupler

MECHANICAL MATERIAL

1" aluminum U channel boom
3/8" solid elements

FINISH

UV inhibited polyester coat

LENGTH

48"

WEIGHT

8 lbs.

MOUNT

Stainless Hardware for
2³/₈" mast

FLAT PLATE AREA

.998 ft²

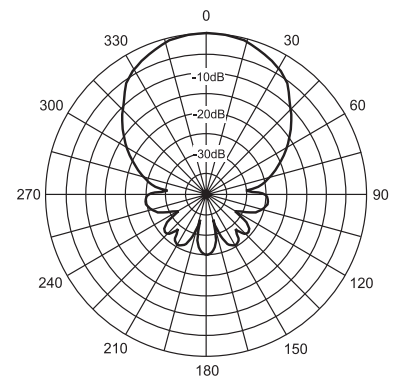
WIND RATING

125 MPH

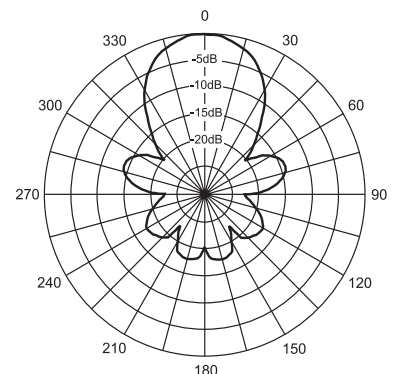
WIND LOAD

67.4 lbs.

HORIZONTAL PATTERN



VERTICAL PATTERN



ORDERING INFORMATION

4152 17dBi Gain, 10 Element, Heavy Duty Stacked Yagi Antenna QTY _____

ACCESSORIES

4026	Bulkhead Connector Type N Female to Type N Female	QTY _____
4011	Bulkhead Surge Protector Type N Male to Type N Female	QTY _____
4035	Bulkhead Surge Protector Type N Female to Type N Female	QTY _____
4073	Two Antenna Coupler, Transmit and Receive, 2-Port 900 MHz	QTY _____
4051	Receive Only, 2 to 4 Antenna Coupler 4-Port 900 MHz	QTY _____
4062	50 Ohm Termination, For Unused Ports On P/N 4051,4061	QTY _____

For more accessories, see the **ACCESSORIES** section of this catalog (Page 51).

CABLES

RP = Reverse Polarity

CPT2	2 Ft WBC195 Cable w/ RP-SMA Male & Type N Male Connector	QTY _____
CPT6	6 Ft WBC195 Cable w/ RP-SMA Male & Type N Male Connector	QTY _____
CPT10	10 Ft WBC195 Cable w/ RP-SMA Male & Type N Male Connector	QTY _____
CPT-X	Custom length WBC195 Cable w/ RP-SMA Male & Type N Male Connector Specify length from 12 inches to 120 Inches Length _____ Inches	QTY _____
C195NM-NM-2	2 Ft WBC195 Cable w/ Type N Male & Type N Male Connector	QTY _____
C400NM-NF-10	10 Ft WBC400 Cable w/ Type N Male & Type N Female Connector	QTY _____
C400NM-NF-20	20 Ft WBC400 Cable w/ Type N Male & Type N Female Connector	QTY _____
C400NM-NF-30	30 Ft WBC400 Cable w/ Type N Male & Type N Female Connector	QTY _____
C400NM-NF-40	40 Ft WBC400 Cable w/ Type N Male & Type N Female Connector	QTY _____
C400NM-NF-50	50 Ft WBC400 Cable w/ Type N Male & Type N Female Connector	QTY _____
C400NM-NF-75	75 Ft WBC400 Cable w/ Type N Male & Type N Female Connector	QTY _____
C400NM-NF-100	100 Ft WBC400 Cable w/ Type N Male & Type N Female Connector	QTY _____
C400NM-NM-10	10 Ft WBC400 Cable w/ Type N Male & Type N Male Connector	QTY _____
C400NM-NM-20	20 Ft WBC400 Cable w/ Type N Male & Type N Male Connector	QTY _____
C400NM-NM-30	30 Ft WBC400 Cable w/ Type N Male & Type N Male Connector	QTY _____
C400NM-NM-40	40 Ft WBC400 Cable w/ Type N Male & Type N Male Connector	QTY _____
C400NM-NM-50	50 Ft WBC400 Cable w/ Type N Male & Type N Male Connector	QTY _____
C400NM-NM-75	75 Ft WBC400 Cable w/ Type N Male & Type N Male Connector	QTY _____
C400NM-NM-100	100 Ft WBC400 Cable w/ Type N Male & Type N Male Connector	QTY _____

For more cables, see the **ACCESSORIES** section of this catalog (Page 52).