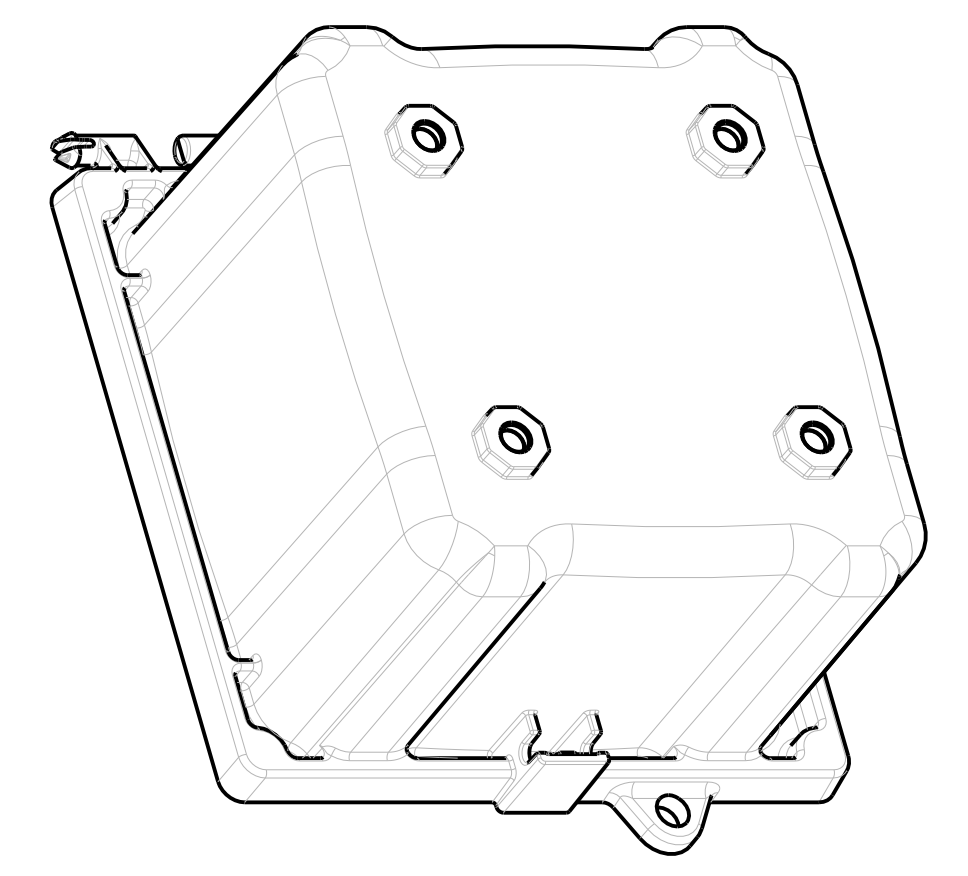
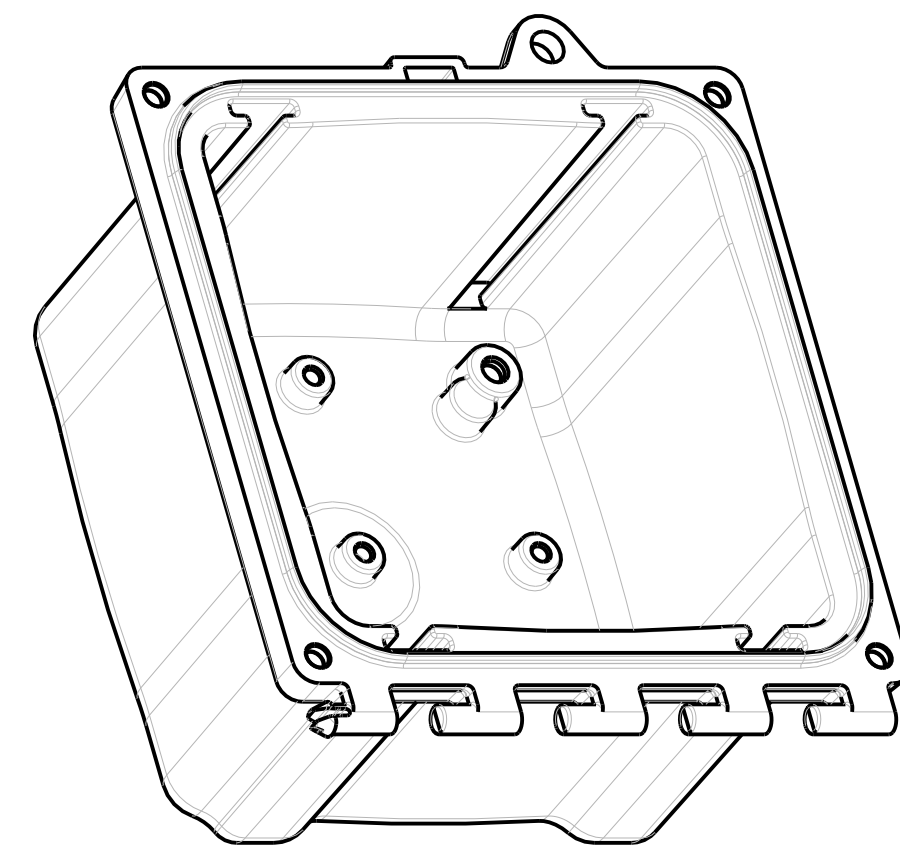
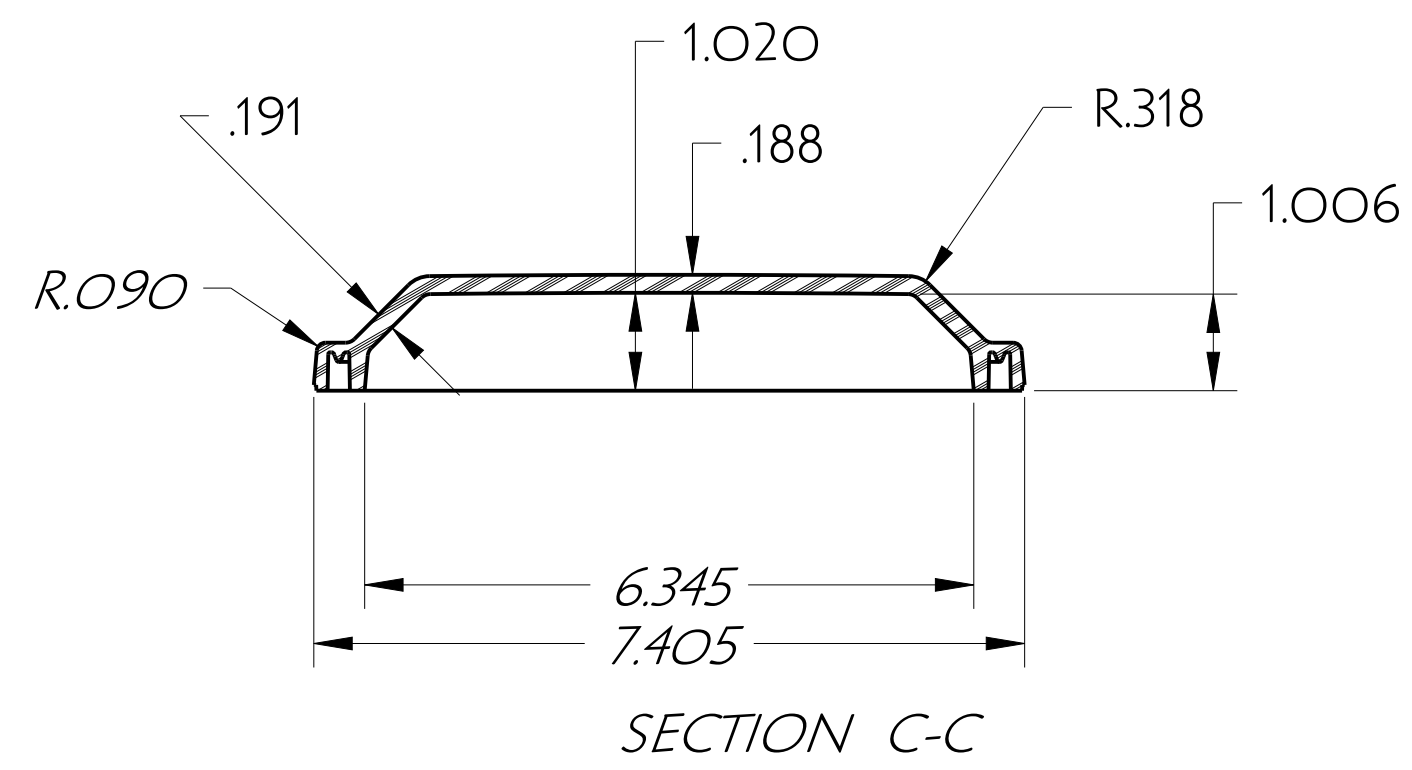
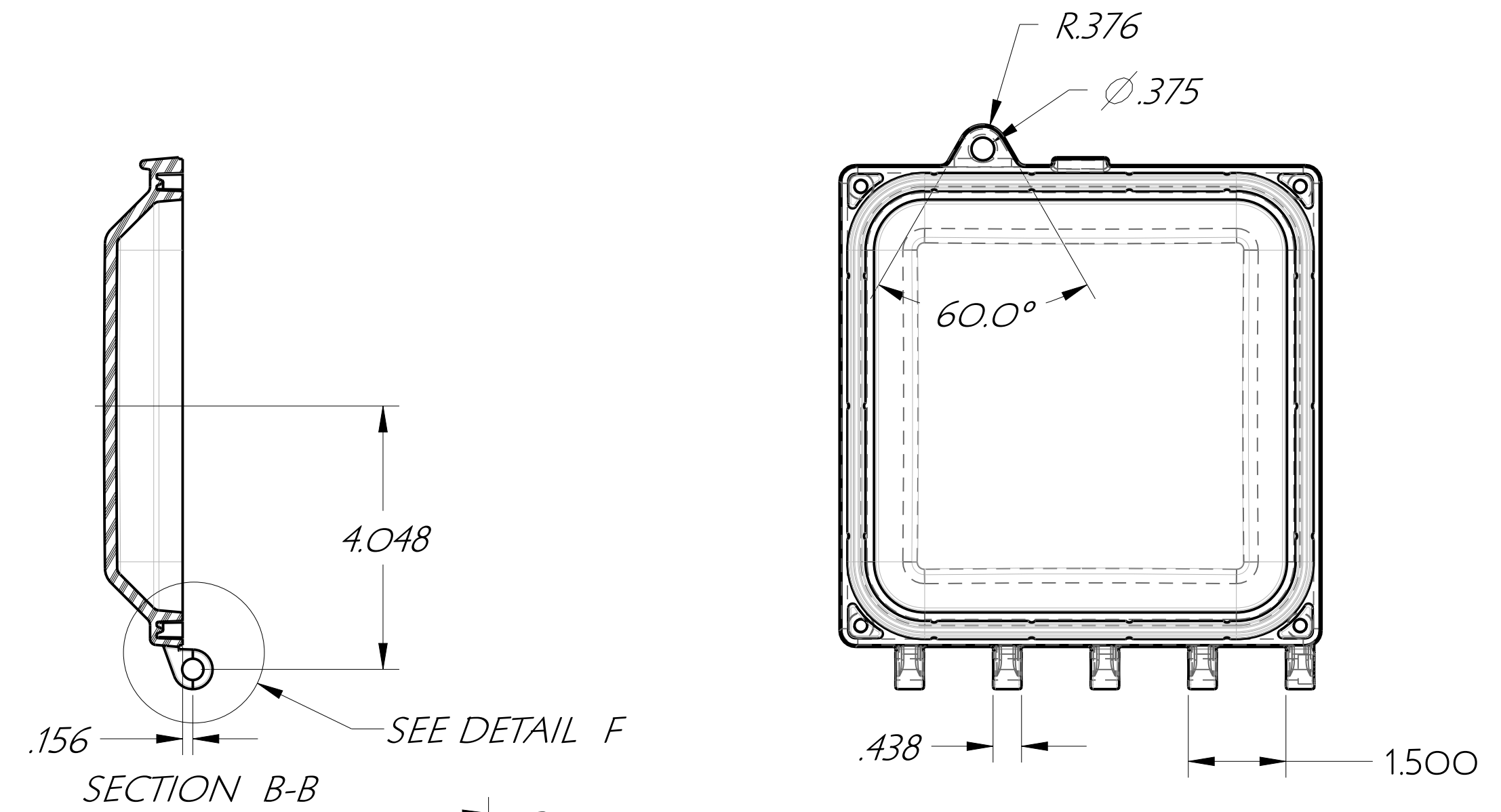
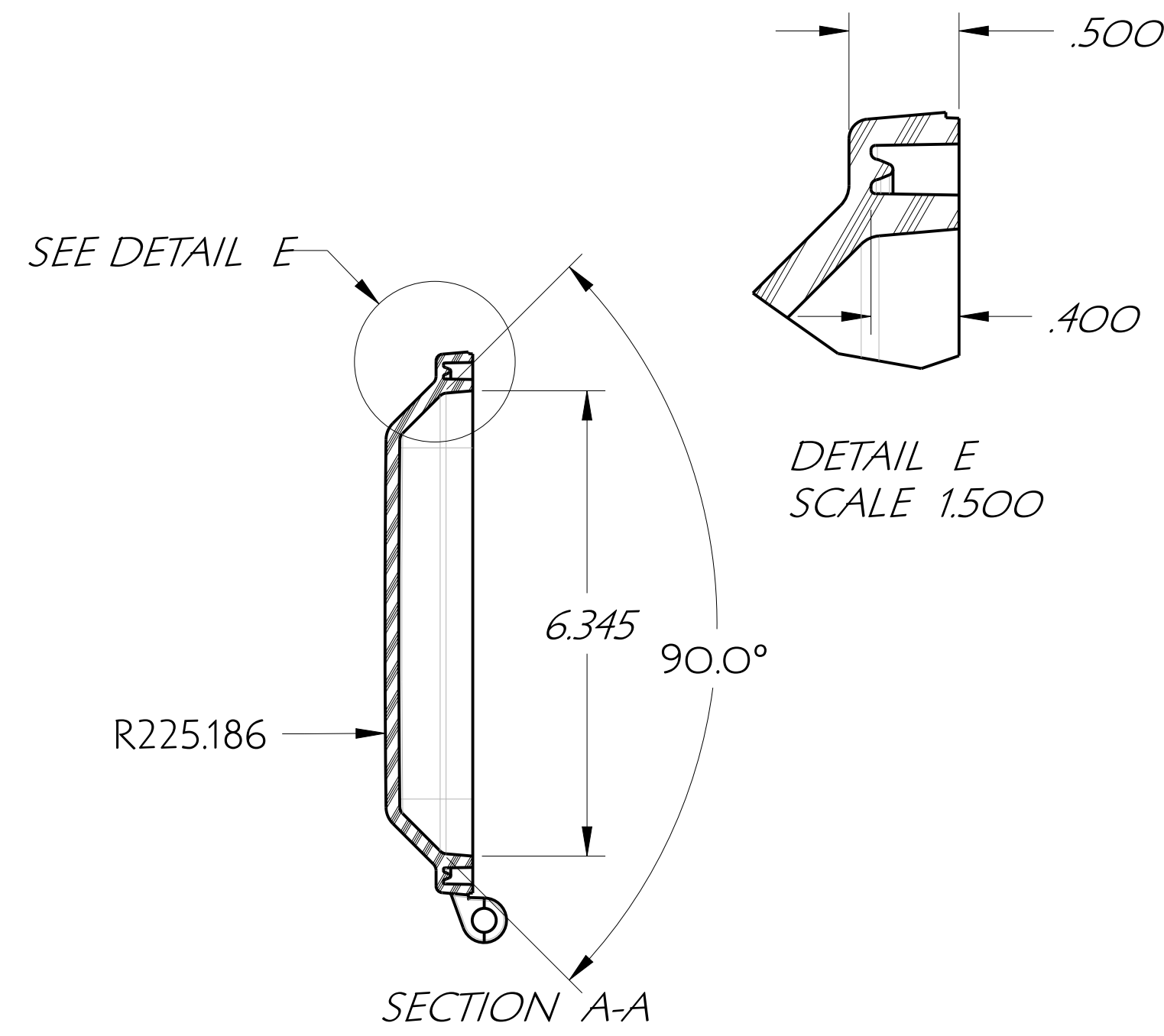
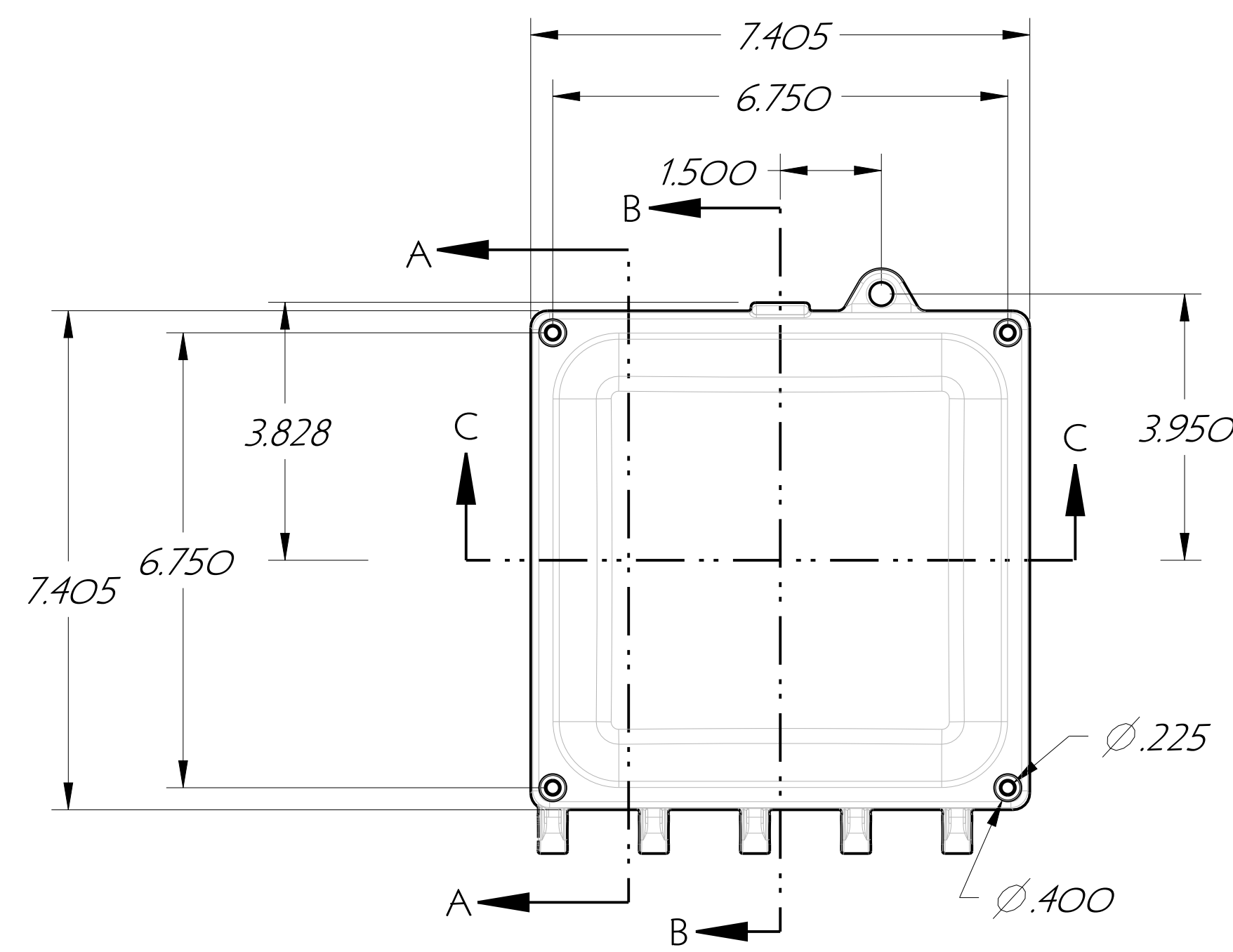


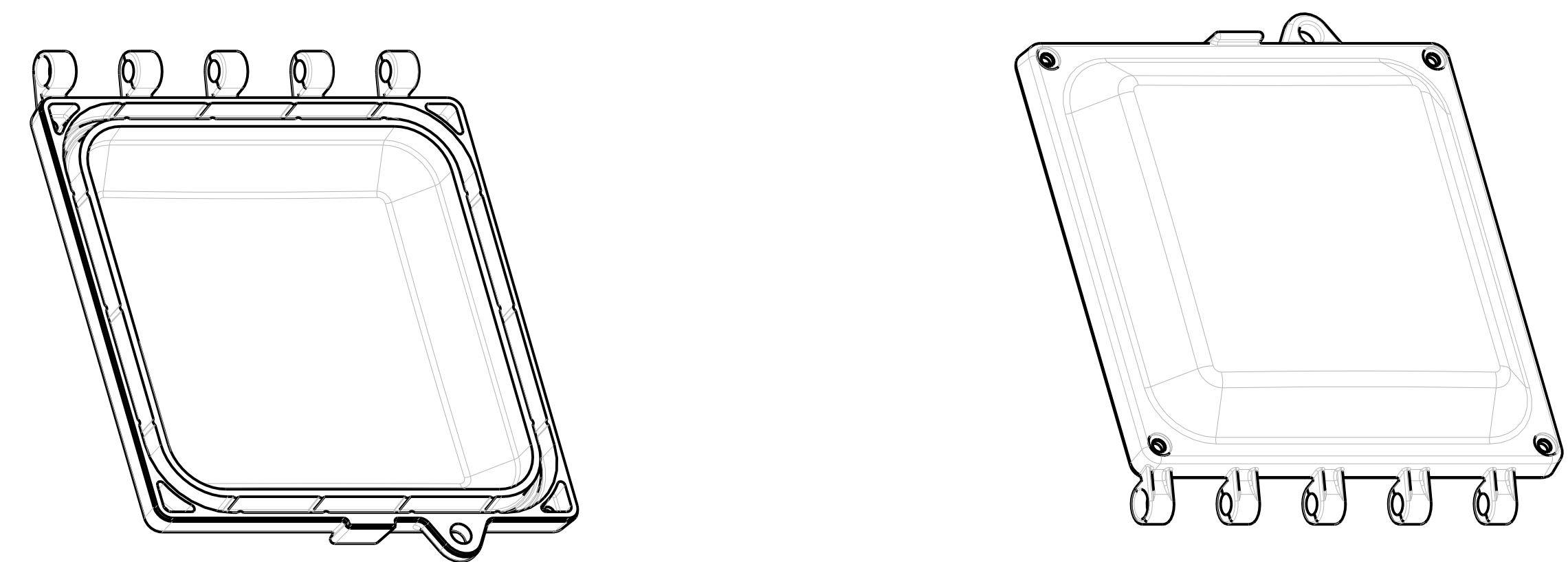
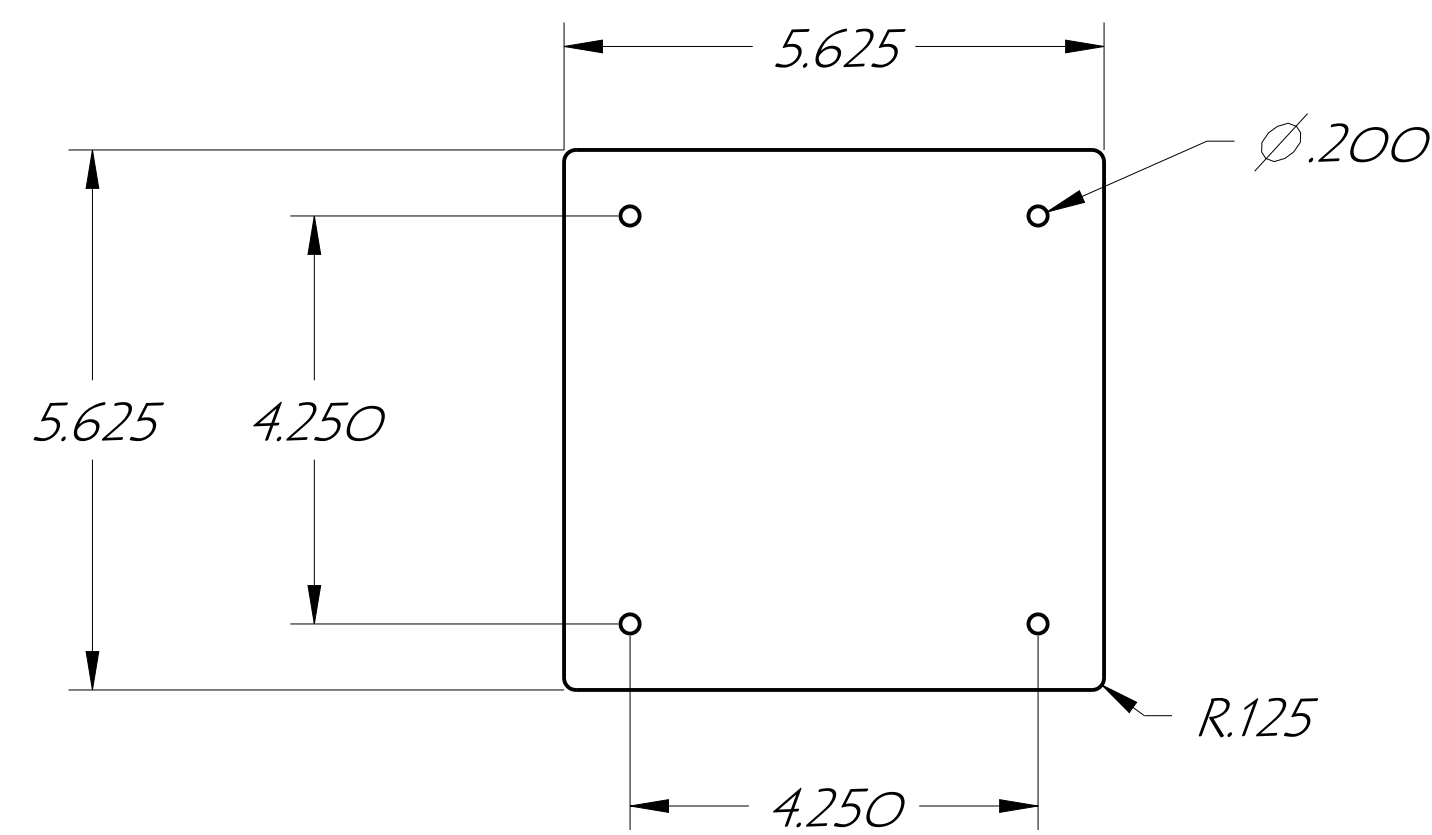
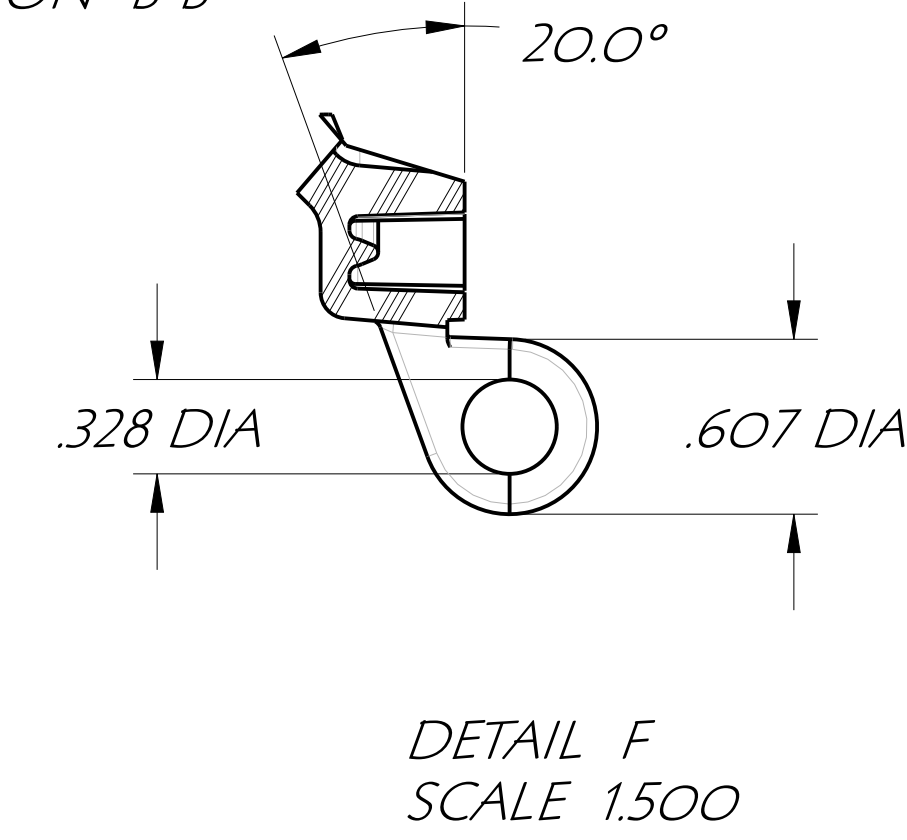
6 X 6 ENCLOSURE



DES. C.R.W.	DRN. C.R.W.	CHKD.			ATTABOX			CUSTOMER
APP. DATE 10/16/07	SCALE			PART NAME ENCLOSURE & LID	PART NO.	PART MATL POLYCARBONATE		
TOLERANCES:		2 PLACE DEC. ±.010	FRAC.	TOOL DESC. SINGLE CAVITY INJECTION MOLD		SHRINK .006/IN.	SHEET OF	
UNLESS OTHERWISE SHOWN		3 PLACE DEC. ±.005	±1/64					
		4 PLACE DEC. ±.0005						



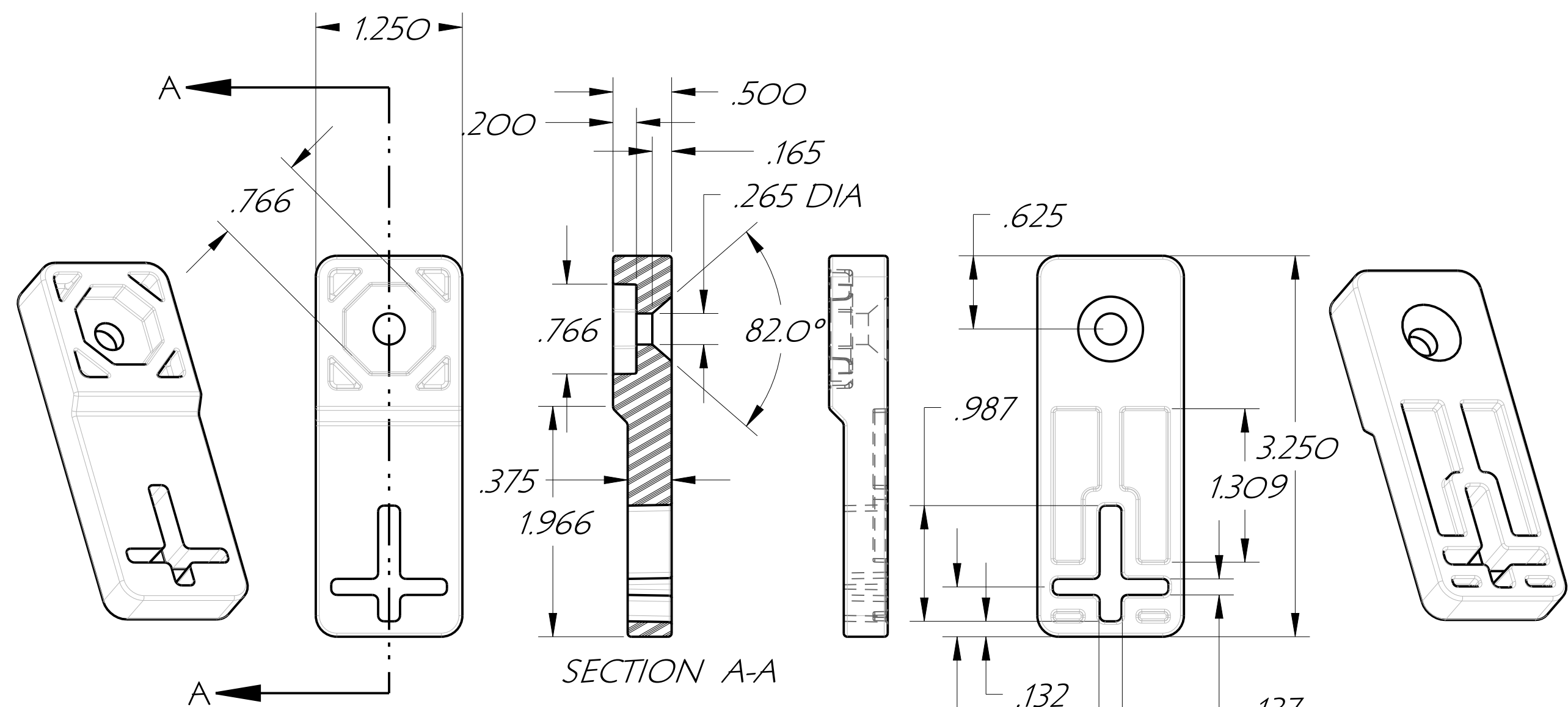
6 X 6 LID



SUB PANEL OR SWING PANEL

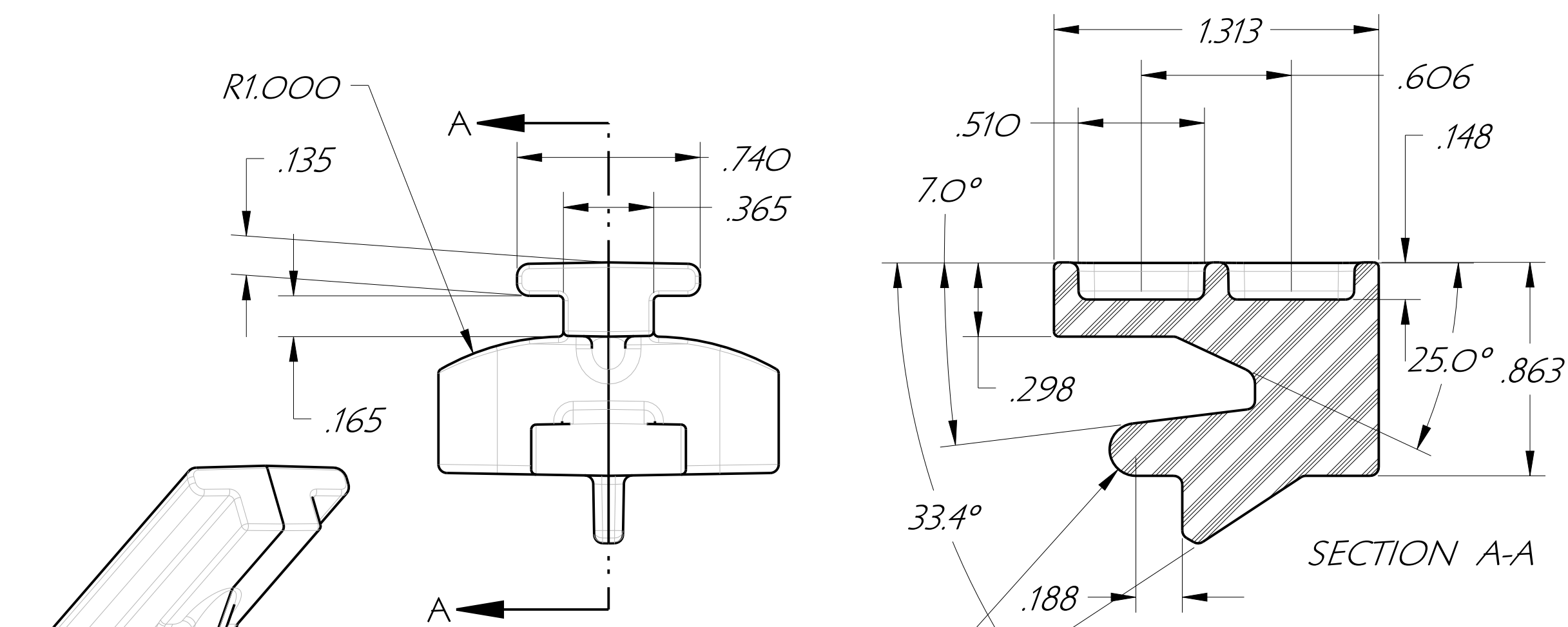
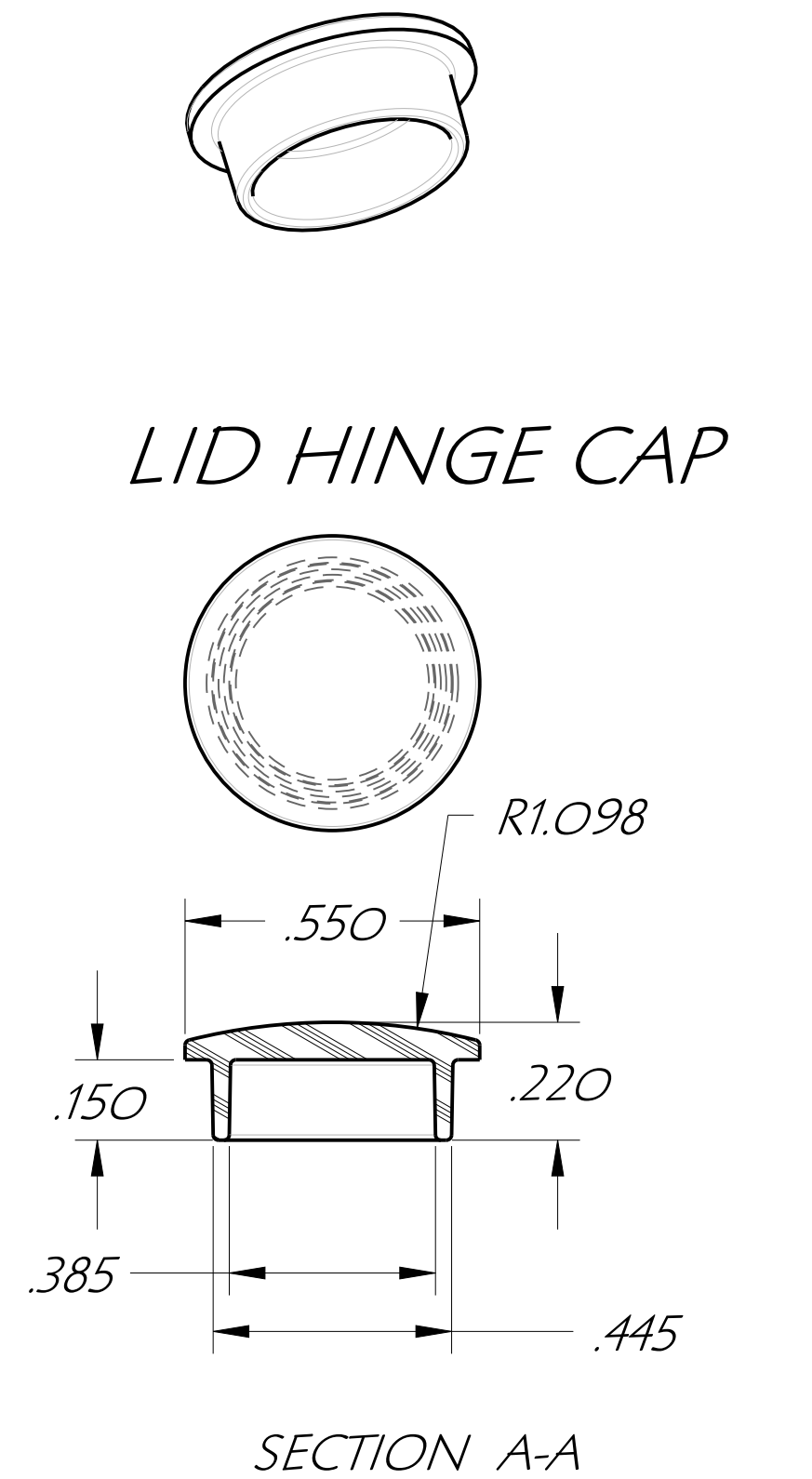
DES. C.R.W.	DRN. C.R.W.	CHKD.		CUSTOMER
APP. DATE 10/16/07	SCALE			
TOLERANCES:	2 PLACE DEC. ±.010	FRAC.		
	3 PLACE DEC. ±.005	±1/64		
UNLESS OTHERWISE SHOWN	4 PLACE DEC. ±.0005			
PART NAME ENCLOSURE & LID	PART NO.	PART MATL POLYCARBONATE		
TOOL DESC. SINGLE CAVITY INJECTION MOLD	SHRINK	.006/IN.	SHEET	OF



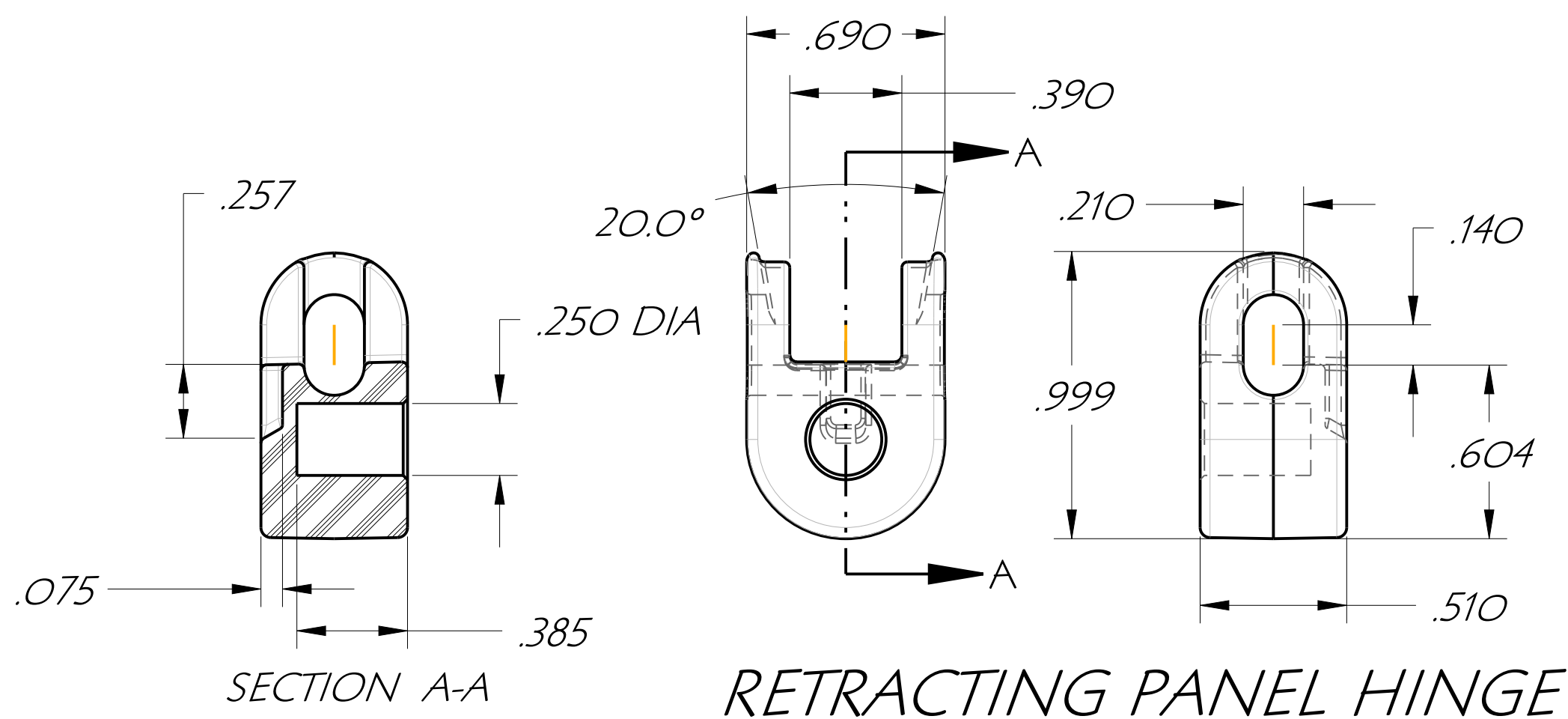


ADJUSTABLE FOOT MOUNT

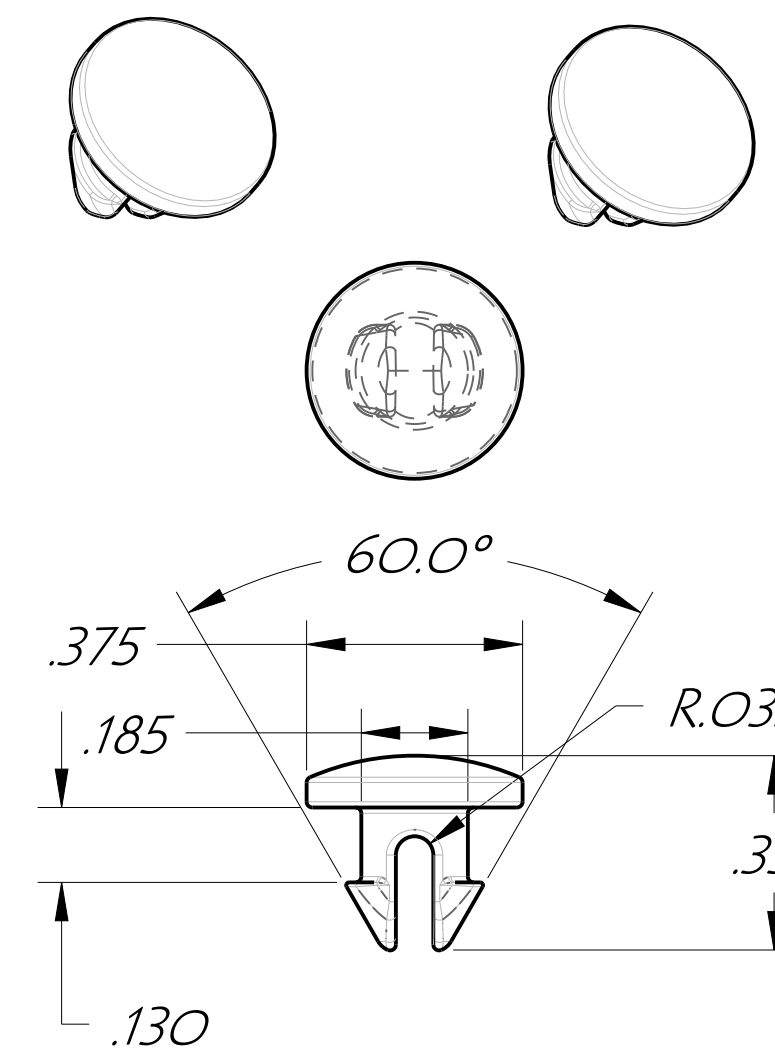
LID HINGE CAP



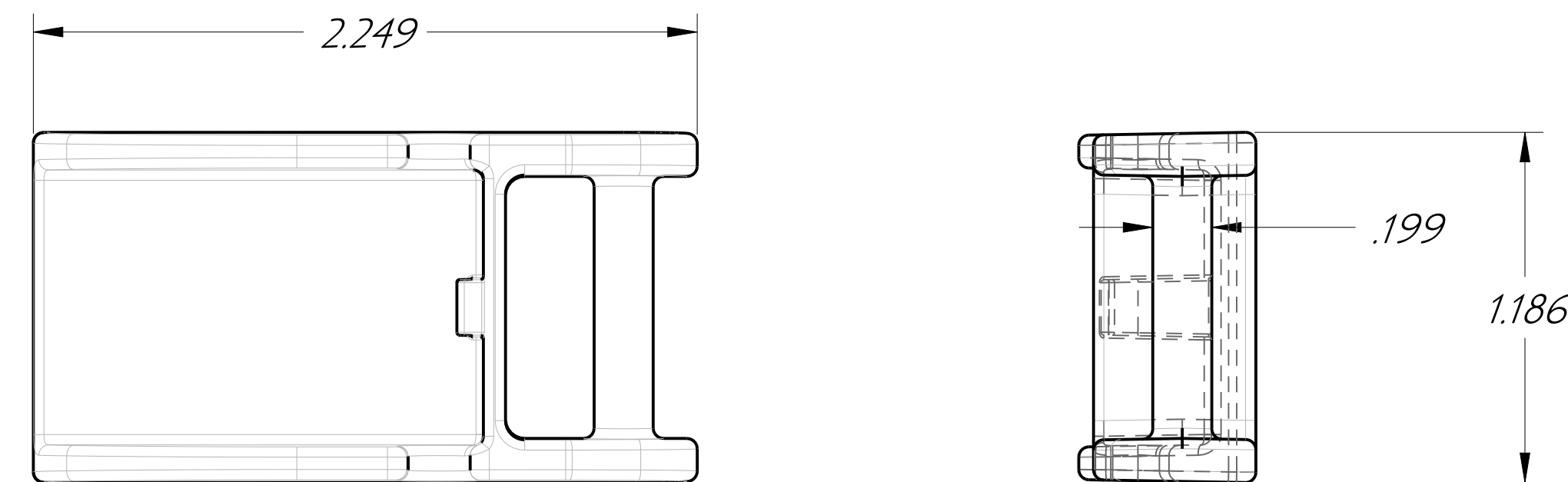
FLUSH PANEL MOUNT



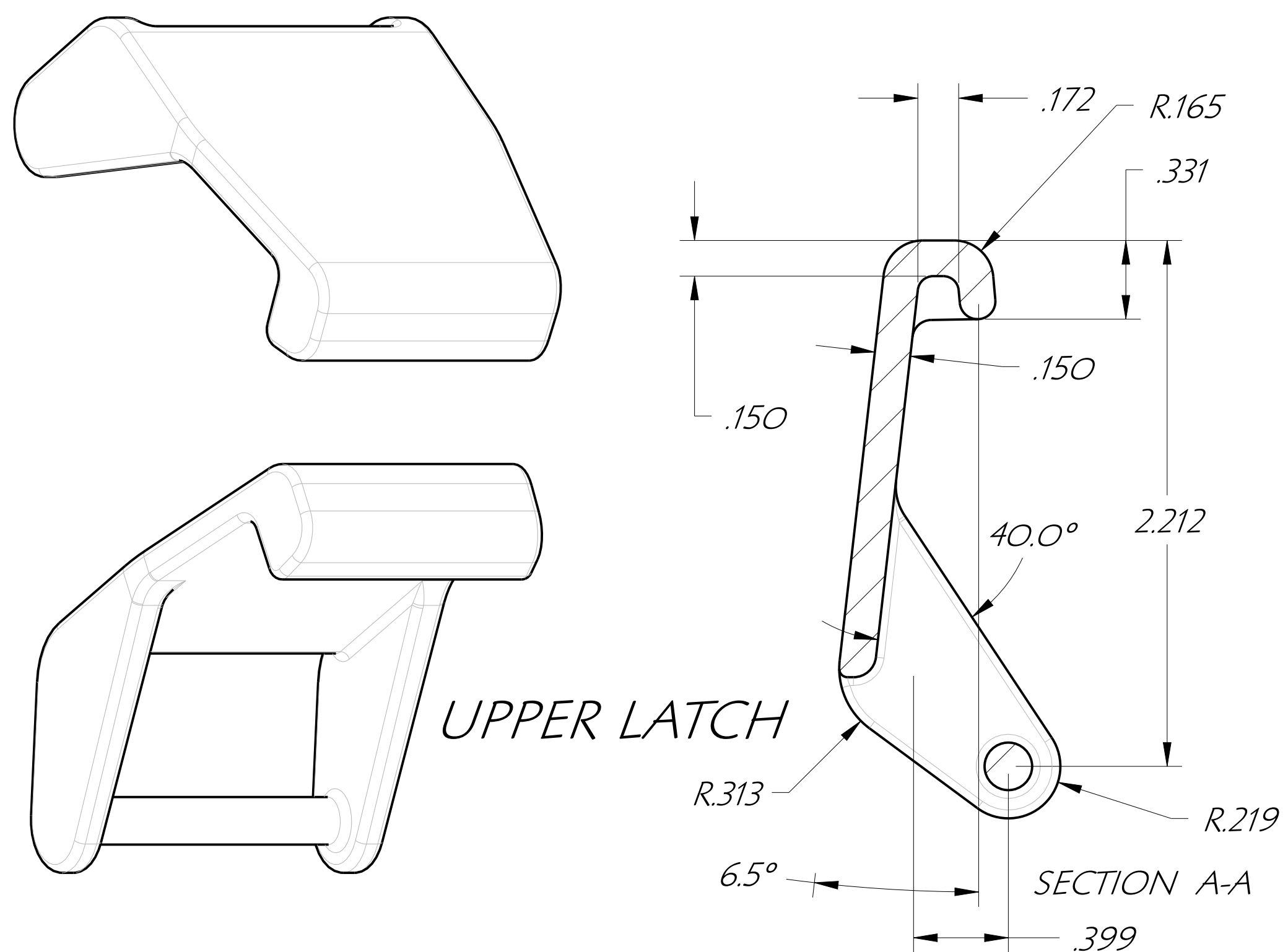
RETRACTING PANEL HINGE



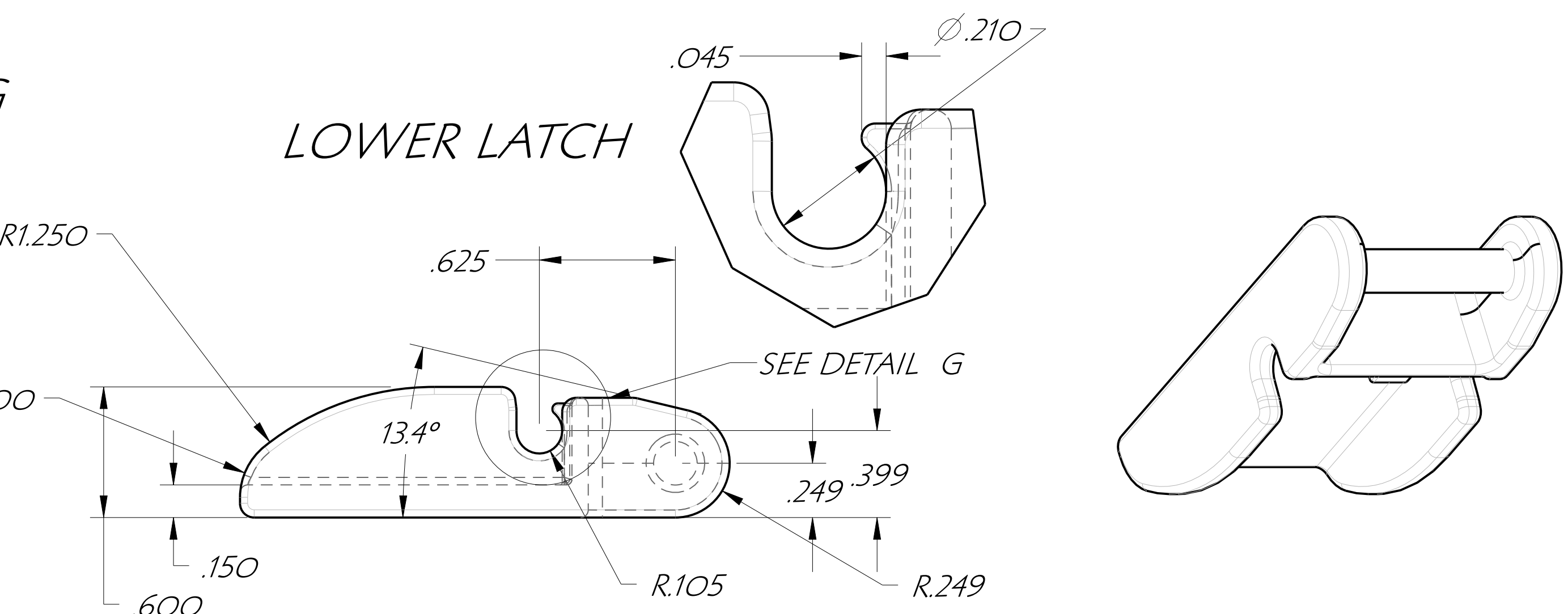
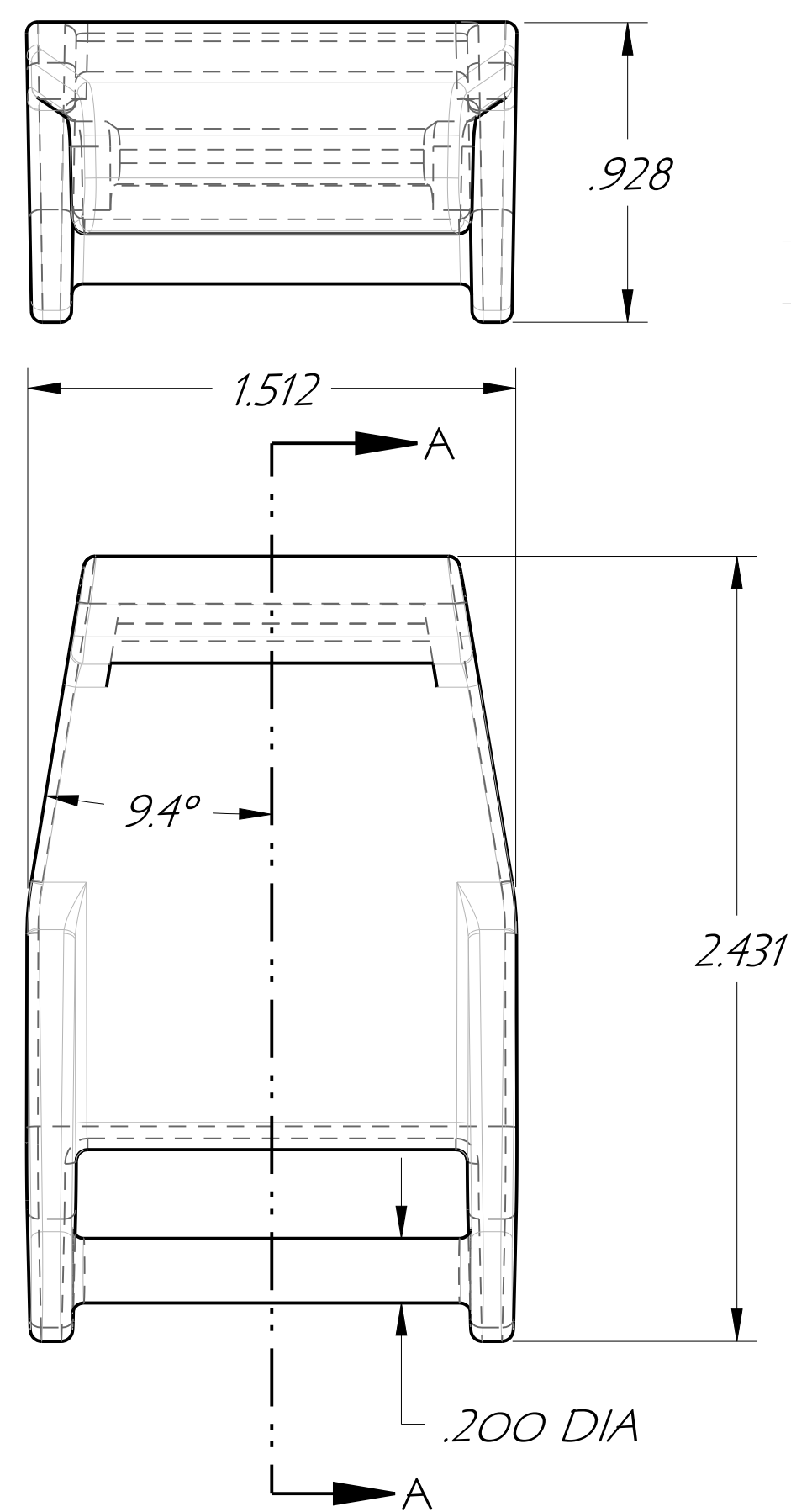
PLUG



LOWER LATCH



UPPER LATCH



DES. C.R.W.	DRN. C.R.W.	CHKD.	CUSTOMER
APP. DATE 10/16/07	SCALE		
TOLERANCES:		2 PLACE DEC. ±.010	FRAC.
UNLESS OTHERWISE SHOWN		3 PLACE DEC. ±.005	±.164
		4 PLACE DEC. ±.0005	
PART NAME ENCLOSURE & LID		PART NO.	PART MATL POLYCARBONATE
TOOL DESC. SINGLE CAVITY INJECTION MOLD		SHRINK	.006/IN.
		SHEET	OF