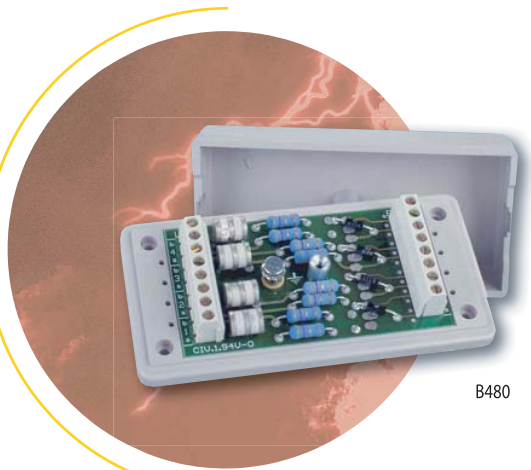
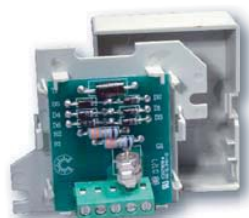




1,2 and 4-pair Surge Protectors B180, B280, B480



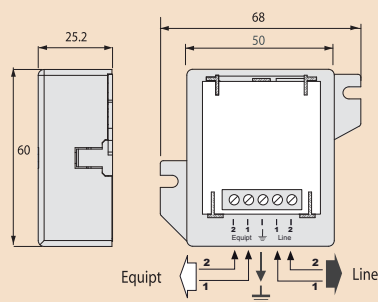
B480



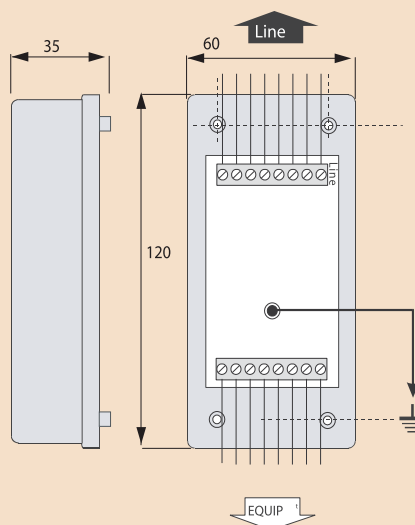
B180

Dimensions (in mm)

B180



B280-B480



The B180, B280 and B480 mountable surge protectors are resettable and are designed to protect your sensitive datacom, telephone and instrumentation equipment against harmful lightning surges and electrical transients.

These surge protectors utilize a hybrid technology consisting of GDT's and fast clamping diodes offering an ultra-fast response time of less than 1 ns and a higher power handling capability of 20kA.

These surge protectors are available for 1, 2 and 4 pairs. The protection circuit board is removable for fast and easy maintenance. (replaceable protection circuit board part #'s: S180., S280., S480.)

These surge protectors are designed for wall mounting and each wire terminates via screw terminal.

Special versions are also available for the combined protection of data transmission and remote power lines (i.e. B480-24D3/A12 : 3 x 24V transmission pairs + 1 x 12Vdc power supply).



C6

- 1, 2, or 4 pair surge protection units
- All types of telephone and data lines
- Removable protection circuit board
- Wall or surface mount
- Wires terminate via screw terminal
- Maximum line current is 300 mA



1, 2 and 4-pair Surge Protectors B180, B280, B480

Characteristics

Configuration	CITEL part number					
	B180-T	-	B180-24D3	B180-12D3	B180-06D3	-
1-pair unit	B180-T	-	B180-24D3	B180-12D3	B180-06D3	-
2-pair unit	B280-T	B280-48D3	B280-24D3	B280-12D3	B280-06D3	B280-06DBC
4-pairs unit	B480-T	B480-48D3	B480-24D3	B480-12D3	B480-06D3	B480-06DBC
Application	Telephone line ADSL	ISDN-T0 48 V line	Leased line 4-20 mA	RS232	RS422 RS485	T2 - T1 10BaseT
Configuration protected - B180... - B280... - B480...	1 pair 2 pairs 4 pairs	- 1 channel 2 channels	LS 2 wires / 1 pair LS 4 wires / 2 pairs 2 LS 4 wires/2x2pairs	2 wires 4 wires 8 wires	1 pair 2 pairs 4 pairs/ 2x2 pairs	- 1 channel 2 channels
Nominal line voltage (Un)	150 V	48 V	24 V	12 V	6 V	6 V
Maximum line voltage (Uc)	170 V	53 V	28 V	15 V	8 V	8 V
Minimum clamping voltage	190 V	60 V	35 V	20 V	10 V	15 V
Protection level (Up) 8/20µs impulse - 5 kA	220 V	70 V	40 V	30 V	20 V	25 V
Nominal discharge current (In) 8/20µs impulse - 10 times	5 kA	5 kA	5 kA	5 kA	5 kA	5 kA
Max. discharge current (Imax) 8/20µs impulse - 1 time	20 kA	20 kA	20 kA	20 kA	20 kA	20 kA
Lightning current (Iimp) 10/350µs impulse - 2 times	5 kA	5 kA	5 kA	5 kA	5 kA	5 kA
Type of diagram	A	B	B	B	B	C
End of life	Short-circuit	Short-circuit	Short-circuit	Short-circuit	Short-circuit	Short-circuit



Mechanical Characteristics

Mounting	wall mount (screws not included)
Dimensions	see dimensions on page 1
Wiring	screw terminal - wire size min/max: 22/16 AWG
Housing material	Thermoplastic UL94-V0
protection circuit board	for B180-xx = S180-xx for B280-xx = S280-xx for B480-xx = S480-xx

Electrical diagram (for each pair)

